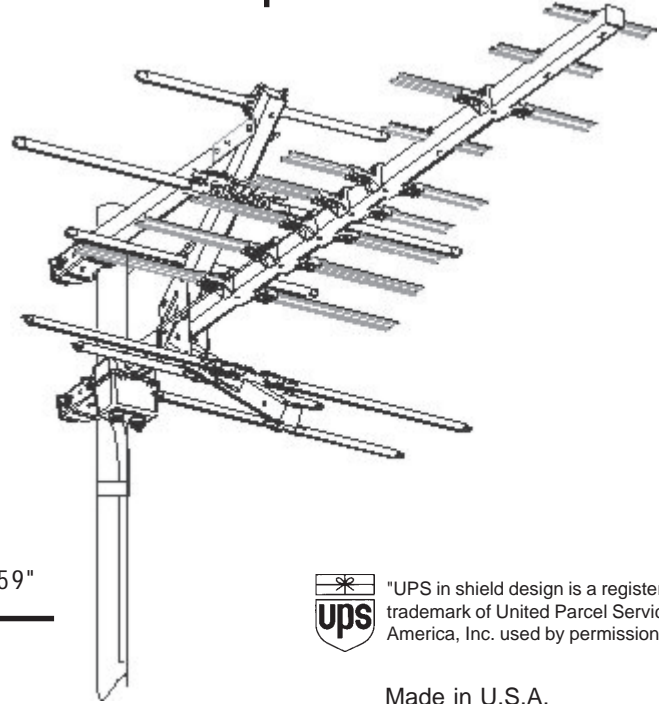


engineering specifications

Model HD9065P



Active Elements 23
 Boom Length 50"
 Turning Radius 47.7"
 Maximum Width 27"
 Vertical Height 19"
 Element Diameter 3/8"

Shpg. Weight 6 lbs.
 Carton Dimensions 6.25" x 6.25" x 59"

Output Impedance: 75 ohm
 Recommended Preamp: AP Series



"UPS in shield design is a registered trademark of United Parcel Service of America, Inc. used by permission."

Made in U.S.A.

CHANNEL	CH.14	CH.32	CH.50	CH.69
dB gain over reference dipole	11.9	12.1	11.6	10.6
beamwidth at half power points	52°	53°	40°	31°
front-to-back ratio	14dB	19dB	14dB	17dB

POLAR PATTERNS

