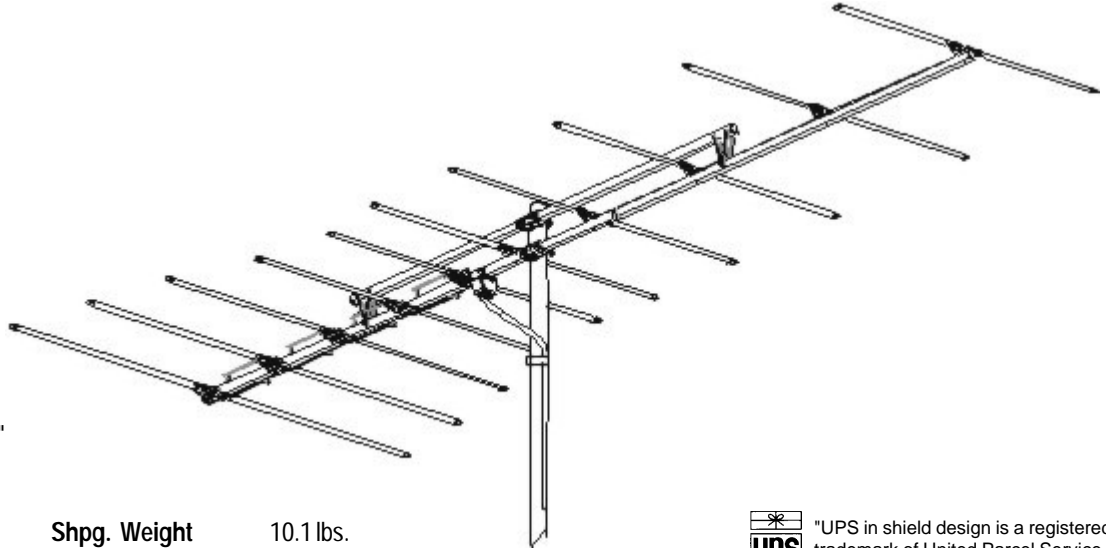


**engineering specifications**

Model HD6065P



Active Elements 10  
 Boom Length 127"  
 Turning Radius 76"  
 Maximum Width 69"  
 Vertical Height 6"  
 Element Diameter 3/8"

Shpg. Weight 10.1 lbs.  
 Carton Dimensions 6.25"x6.25"x76"



"UPS in shield design is a registered trademark of United Parcel Service of America, Inc. used by permission."

Output Impedance: 75 ohm  
 Recommended Preamp: AP Series

Made in U.S.A.

| GAIN                           | 88MHz | 98MHz | 108MHz |
|--------------------------------|-------|-------|--------|
| dB over reference dipole       | 9.4   | 10.6  | 10.6   |
| beamwidth at half power points | 59°   | 53°   | 48°    |
| front-to-back ratio            | 18dB  | 19dB  | 20dB   |

**POLAR PATTERNS**

