

WINEGARD®

Ultra Low Noise HDTV™²

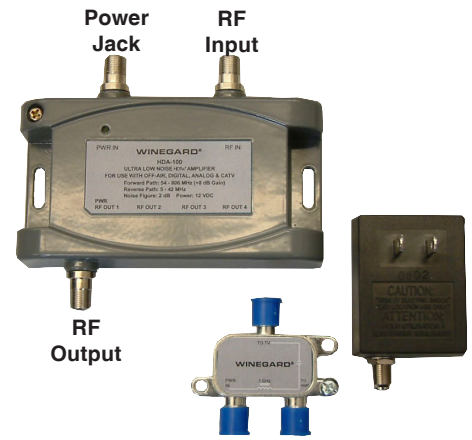
Distribution Amplifiers

Winegard's new HDA series of Distribution Amplifiers was designed to meet the market demand for a heavy duty, quality built, cost effective solution for the amplification and distribution of analog/digital broadcast signals from Off-Air and cable TV stations. Both the HDA-100 & HDA-200 are housed in an industrial grade, weather resistant enclosure. Each unit has an RF input, amplified RF output, and DC power insertion jack. Each amplifier also provides a 5-42 MHz 2-way bi-pass.

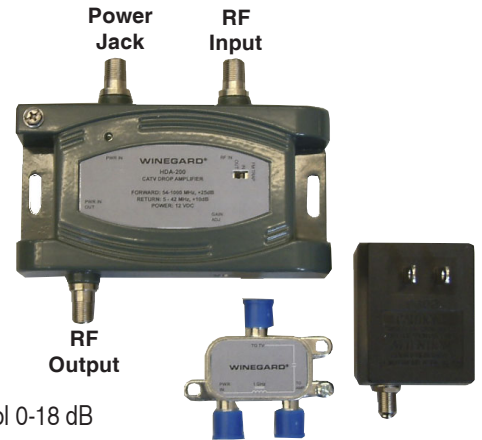
The Winegard HDA-100 is a single RF input, 15dB gain, single RF output, with a 5-42 MHz 2-way bi-pass at -2 dB loss.

The HDA-200 has a single RF input, 24 dB gain, single RF output, with a 5-42 MHz 2-way bi-pass at +12 dB gain. The HDA-200 has 0-18 dB gain control and 20 dB "switchable" FM trap to eliminate those offending FM radio stations. These features, when combined with the 12 dB of amplified gain for the 2 way 5-42 MHz return path make the HDA-200 a superior solution for the "Techno" savvy consumer.

See reverse side for typical power installations.



HDA-100
15 dB Gain
54-1000 MHz
-2 dB 2-Way Bi-pass



HDA-200
24 dB Gain
54-1000 MHz
Variable gain Control 0-18 dB
Switchable FM trap
+12 dB gain on 2-Way Bi-pass

HDA-100 SPECIFICATIONS

HDA-100	
Bandpass Forward	54-1000 MHz
Bandpass Reverse	5-42 MHz
Max Output per Channel (80 ch CATV)	+25 dBmV (Note 1)*
Max Output per Channel (16 ch off-air)	+40 dBmV (Note 2)**
Max Input per Channel (80 ch CATV)	+10 dBmV (Note 1)*
Max Input per Channel (16 ch off-air)	+25 dBmV (Note 2)**
Max Input Reverse Amp	n/a
Gain	15 dB
Gain Control	n/a
Reverse Gain	-2 dB
Noise Figure	3 dB
FM Trap	n/a
Operating Temp	-30° to 140° F
Power Supply Voltage	12VDC - 200 mA
Housing Dimensions	4.90" W x 3.92" H x 1.5" D
Weight	0.6 lbs.

HDA-200 SPECIFICATIONS

HDA-200	
Bandpass Forward	54-1000 MHz
Bandpass Reverse	5-42 MHz
Max Output per Channel (80 ch CATV) ...	+25 dBmV (Note 1)*
Max Output per Channel (16 ch off-air)	+40 dBmV (Note 2)**
Max Input per Channel (80 ch CATV)	+8 dBmV (Note 1)*
Max Input per Channel (16 ch off-air)	+23 dBmV (Note 2)**
Max Input Reverse Amp	+23 dBmV (at 1dB comp)
Gain	24 dB
Gain Control	0-18 dB
Reverse Gain	+12 dB
Noise Figure	4.5 dB (at max gain)
FM Trap	-20 dB (95-108 MHz)
Operating Temp	-30° to 140° F
Power Supply Voltage	12VDC - 200 mA
Housing Dimensions	4.90" W x 3.92" H x 1.5" D
Weight	0.6 lbs.

*Note (1) at -62dB ctb, -56dB cso

**Note (2) at -46dB cross modulation

HDA-100/200 TYPICAL INSTALLATION - NO POWER INSERTER

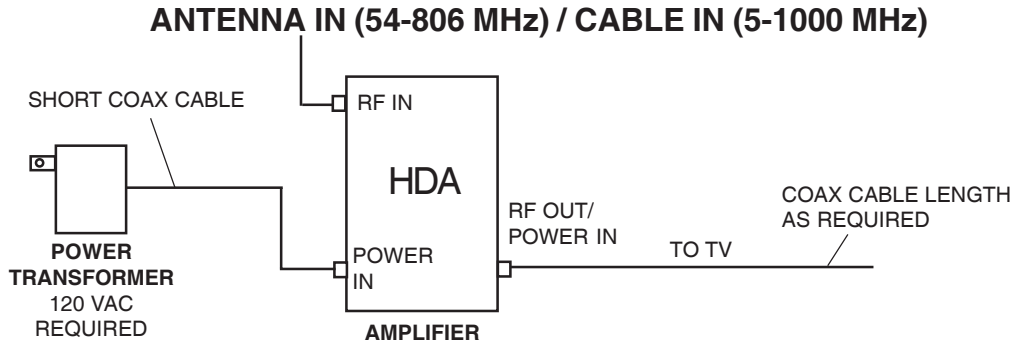


Figure A

HDA-100/200 TYPICAL INSTALLATION POWER INSERTER USED FOR REMOTE POWER APPLICATION WHEN NO 120 VAC CLOSE BY (EXAMPLE: ATTIC, CEILING, CRAWL SPACE, ETC.)

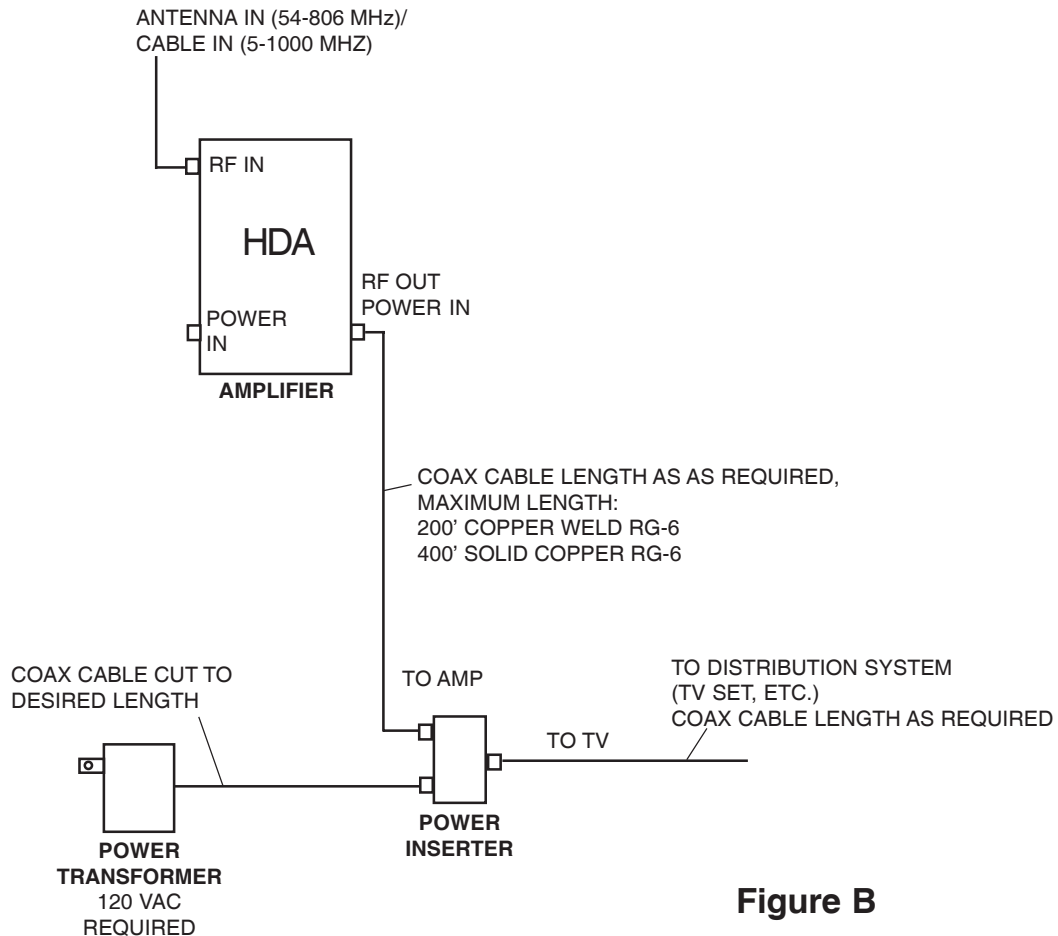


Figure B



WINEGARD®

Winegard Company • 3000 Kirkwood St. • Burlington, IA 52601-2000 • 319/754-0600 Fax 319/754-0787 • www.winegard.com
Printed in U.S.A. © 2004, 2005 Winegard Company WC-819 Rev. 5/05