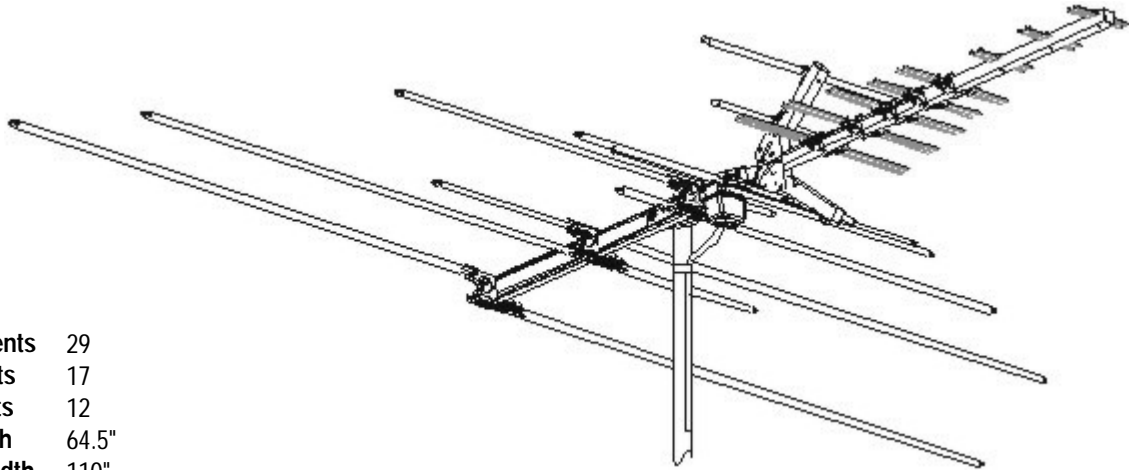


engineering specifications

Model HD7078P



Active Elements 29
 UHF Elements 17
 VHF Elements 12
 Boom Length 64.5"
 Maximum Width 110"
 Vertical Height 13.6"
 Element Diameter 3/8"

Shpg. Weight 7 lbs.
 Carton Dimensions 6.25"x6.25"x77"



"UPS in shield design is a registered trademark of United Parcel Service of America, Inc. used by permission."

Output Impedance: 75 ohm
 Recommended Preamp: AP Series

Made in U.S.A.

GAIN	CH.2	CH.4	CH.6	CH.7	CH.9	CH.11	CH.13	CH.14	CH.32	CH.50	CH.69
dB over reference dipole	3.5	3.4	1.6	8.3	9.6	8	9.9	11.5	10.4	10.7	9.7
beamwidth at half power points	70°	73°	70°	37°	38°	39°	37°	61°	54°	46°	34°
front-to-back ratio	10.5dB	7dB	7.5dB	13dB	16dB	15dB	16dB	16dB	greater than 20dB	19dB	18dB

POLAR PATTERNS

