

WINEGARD®

Certified Medical Telemetry UHF Amplifier TA-1626



Model TA-1626 is an excellent addition to Winegard's Medical Telemetry line. Winegard's TA series line amplifiers are designed to overcome coax line signal loss between Biotelemetry antennas and receivers. The amplifiers feature low noise figure and excellent match to insure faithful signal reproduction and maximum signal transfer. These amplifiers pass power from output to input allowing several to operate in cascade with a single power supply at the receiver. The internal regulated supply will provide the correct operating voltage when a nominal +14 to +24 VDC is available at the amplifier. Has -20 dB test point to allow you to monitor system performance. Side mounted LED indicates line power.

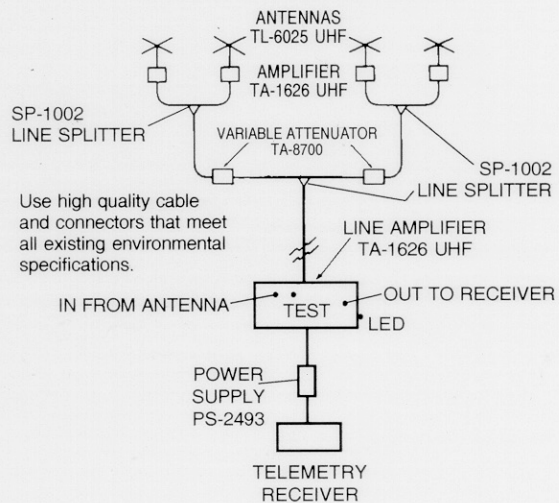
Features

- Die cast housing
- LED line power indicator
- -20 dB test jack.

Specifications for TA-1626

Bandpass 602 to 626 MHz
 Gain 19 dB
 Maximum Total Input... 120,000 μ V
 Noise Figure 5.0 dB
 V.S.W.R. 1.1:1
 Impedance 75 ohm
 Power Requirements ... +14 to +24 VDC
 (Line Powered thru Cable) 20ma
 Power Passive for
 Cascade Operation ... Yes

TYPICAL APPLICATION



Winegard Company
 3000 Kirkwood Street • Burlington, IA 52601-2000
 319/754-0600 • FAX 319/754-0787 • www.winegard.com
 Printed in U.S.A. © 2003 Winegard Company WC-793 Rev. 5/05