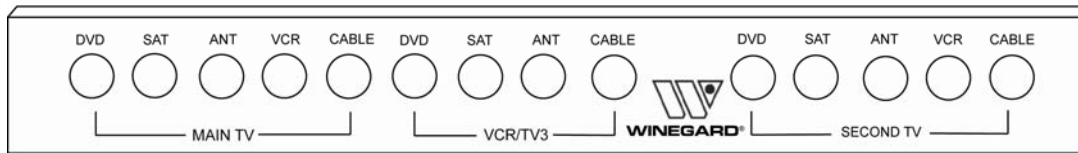


WINEGARD®

VIDEO DISTRIBUTION CENTER

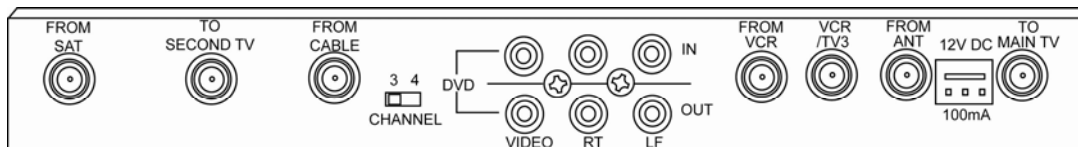
MODEL VS5312A

Model shown has five inputs, three outputs, with DVD loop-through.



FEATURES:

- Simple push button controls allow you to send signals from any one of 5 different inputs to 2 TVs and VCR or 3rd TV.
- 5 Inputs are Satellite Receiver, TV Antenna, VCR, Cable TV & DVD.
- 3 Outputs: Main TV, TV 2, VCR/TV3.
- Built-in +12 VDC TV antenna power supply eliminates need for separate wall mounted TV antenna power supply
- Self-resetting fuses used in antenna power supply prevent failure caused by shorted connections.
- Video switch allows for independent viewing of signals at different TVs, with a record option from VCR.
- Low profile housing blends nicely with other electronic components; fits easily in overhead cabinets.
- Shielded circuitry for high isolation and low signal loss.
- Oversize, easy-to-read graphics for proper function selection when mounted in out of the way locations.
- Built-in Ch. 3 / 4 modulator for DVD loop-through.



COAX AND AUDIO/VIDEO (A/V) CABLE CONNECTIONS

STEP 1. Connect the coax cable from the output on the switch box marked “To Main TV” to the antenna input connection on the back of the main TV.

STEP 2. Connect the coax cable from the output on the switch box marked “To SECOND TV” to the antenna input connection on the back of the second TV.

STEP 3. Connect the coax cable from the output on the switch box marked “To VCR/TV3” to the input connection on the back of the VCR. If not using a VCR, see STEP 7.

STEP 4. Connect the coax cable from the output of the AUX SOURCE or VCR to the coax connection on the back of the switch box marked “FROM VCR.”

STEP 5. Connect the coax cable from the exterior Cable TV input plate to the to the coax connection on the switch box marked “FROM CABLE.”

STEP 6. The output of the auxiliary device (TV game, camcorder or 2nd satellite source) can be connected to the input connection marked “FROM VCR” to allow viewing of the auxiliary device on the Main TV and TV2.

STEP 7. If a VCR is being used only to view video tapes and the VCR is NOT used to “RECORD”, the “VCR/TV3” can be dedicated to a 3rd TV or External TV set to allow viewing of the 5 main inputs (SAT, CABLE TV, TV ANT, DVD, VCR) on an additional TV set by using the buttons in the “VCR/TV3” section on the front of the unit.

STEP 8. NOTE: The coax cable from the satellite antenna must go directly to the input of the satellite receiver marked “Satellite In.”

STEP 9. Connect the Audio/Video cables with RCA jacks from the output of the DVD player to the input connection on back of the video distribution switch marked “IN”. Be sure the three color coded jacks are attached to correct inputs and outputs (Audio RT = Red, Audio LF = White, Video = Yellow).

STEP 10. If you are hooking up to stereo TV or surround sound system that has RCA input jacks, you can connect Audio/Video cables from the output on the video distribution switch marked “DVD OUT” to the Audio/Video input jacks on the stereo TV or surround sound system. Be sure the three color coded jacks are attached correctly (Audio Right = Red, Audio Left = White, Video = Yellow).

NOTE: When connecting to a stereo TV or surround sound system using audio/video cables, be sure the 1K/75 ohm slide switch on the back of the video distribution switch is moved to the 1K position. This will enhance the picture quality when using the DVD player.

Also note the VS5312A includes a built-in channel 3 or 4 modulator. This modulator allows DVD signals to be distributed to all three TV set locations over standard 75 coaxial cable. When not using audio/video cables, the 1K/75 ohm slide switch should be moved to the 75 ohm position.

STEP 11. Connect the coax cable from the TV antenna to the coax connection on the back of the video distribution switch marked “From Ant.”

POWER CONNECTIONS

NOTE: When hooking up an amplified TV antenna, it is necessary to **BYPASS** the existing wall-mounted power supply, see Figure A. When connecting a non-amplified TV antenna, see Figure B. If you are not sure the TV antenna is amplified or non-amplified, contact the manufacturer or your local dealer.

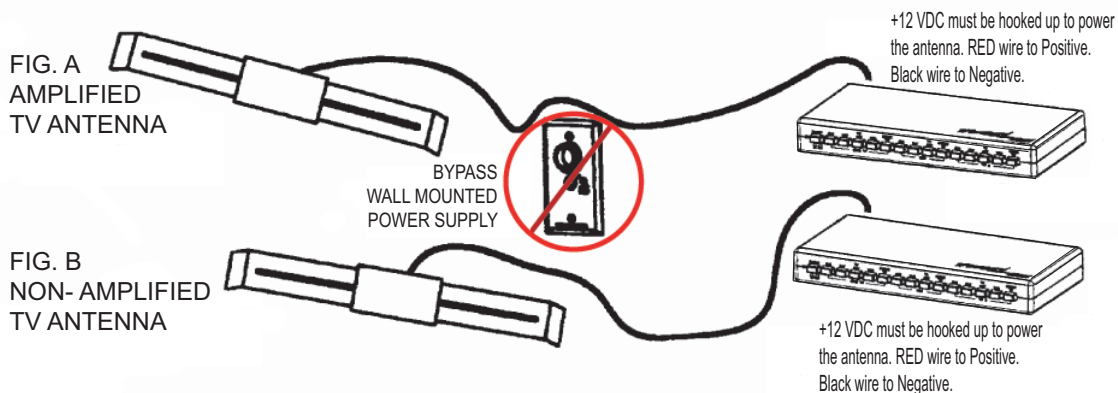


Figure A. (CONNECTING AN AMPLIFIED TV ANTENNA AND BYPASSING THE WALL MOUNTED POWER SUPPLY)

When using a Winegard or other brand of VHF/UHF “Amplified Antenna” with power supply, you must bypass the wall-mounted power supply. The coax cable from the output of the TV antenna which is connected to the input of the power supply must be disconnected from the back of the power supply (located inside the wall) and connected to the input on the back of the video distribution switch marked “From Ant”. Be sure the RED wire is hooked to POSITIVE and the BLACK wire to NEGATIVE and then connect the power cable.

Figure B. (CONNECTING A NON-AMPLIFIED TV ANTENNA)

When using Winegard or other brand of VHF/UHF “Non-Amplified Antenna” the coax cable from the output of the TV Antenna should be connected to the input on the back of the video distribution switch marked “From Ant”. You must also hook up the +12 VDC power to the back of the video distribution switch using the 5 foot 12 volt cable with locking connector supplied with the video distribution switch. Be sure the RED wire is hooked to POSITIVE and the BLACK wire to NEGATIVE and then connect the power cable.

OPERATION

Once all the connections have been properly made to the control box, you are ready to watch your favorite programming.

USING THE BUTTONS ON THE FRONT OF THE CONTROL BOX

VIEWING

STEP 1. To view the TV antenna signal on the main TV, simply press the TV ANT button located above the area marked "MAIN TV." Follow the same procedure for SECOND TV.

NOTE: The picture quality from your outdoor TV antenna varies depending on the location of the TV station in relationship to your location.

STEP 2. To view Satellite signals on your main TV, press the SAT button above the area marked "Main TV." Follow the same procedure for SECOND TV.

STEP 3. To view Cable TV signals on your main TV, press the Cable button above the area marked "Main TV." Follow the same procedure for SECOND TV.

NOTE: To view Cable TV signals, you must be connected to a Cable TV input on the outside of your vehicle. Cable TV inputs are available at many of today's campgrounds.

STEP 4. To view VCR signals on your main TV, press the VCR button above the area marked "Main TV." Follow the same procedure for SECOND TV.

STEP 5. To view Auxiliary signals, such as games, camcorder or 2nd satellite source, on your main TV, press the VCR button above the area marked "Main TV." Follow the same procedure for SECOND TV.

NOTE: If a VCR is used, it must be disconnected from the VCR input on the VIDEO SWITCH and the Auxiliary equipment connected in its place.

RECORDING

STEP 6. To record programming from the Antenna, Satellite Antenna, Cable TV or Auxiliary, simply press the appropriate button above the section marked VCR/TV3.

To record programming from the TV antenna to your VCR, press the TV ANT button above the VCR/TV3 section on the switch box.

To record programming from the Satellite antenna to your VCR, press the SAT button above the VCR/TV3 section on the switch box.

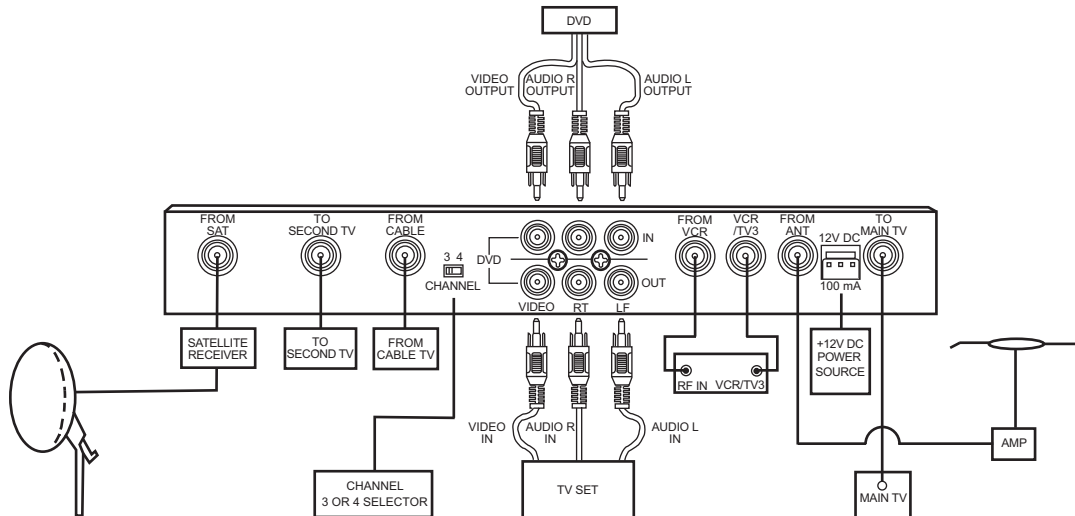
To record programming from an Auxiliary device to your VCR, press the VCR button above the VCR/TV3 section.

To record programming from Cable TV to your VCR, press the Cable TV button above the VCR/TV3 section on the switch box.

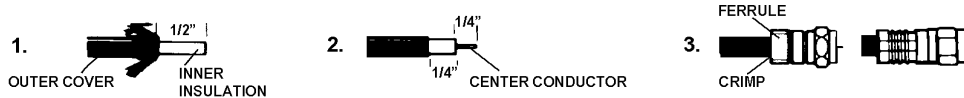
NOTE: To record Cable TV signals, you must be connected to a Cable TV input on the outside of your vehicle. Cable TV inputs are available at many campgrounds.

NOTE: With Winegard's control box, you can watch different programming on each of your two TV sets while recording another program on your VCR. If your vehicle is equipped with an exterior patio TV set, you may choose the programming source desired for the patio TV by using the buttons above the SECOND TV section on the control box. The programming source is the same for the patio (exterior) TV and SECOND TV. You could watch different signals on the main TV. When viewing signals on the Patio TV, you must watch the same programming as on TV set 2. If NOT using a VCR, the VCR/TV3 button could be wired to a 3rd TV and have independent viewing.

TYPICAL INSTALLATION



INSTALLING COAX CONNECTORS



1. Strip outer cover back $\frac{1}{2}$ " from end of cable. Fray braid back as far as outer cover will allow.
2. Trim braid close to outer cover and remove $\frac{1}{4}$ " of inner insulation. **Be careful not to nick center conductor and make sure no foil or braid can touch center conductor.**
3. Slide connector tip between braid and inner insulation (braid and foil, on foil shield cable), and push connector on cable as far as it will go. Crimp built-in ferrule with appropriate crimping tool. **Do not crush cable out-of-round.** (If you are installing in very hot weather, increase these dimensions $\frac{1}{8}$ ").

WINEGARD LIMITED 90 DAY WARRANTY

Winegard Company warrants this product only against defects in materials or workmanship for a period of ninety (90) days from the date of original purchase. Customer may ship the product prepaid to Winegard Technical Services (located at 3000 Kirkwood Street, Burlington, Iowa 52601, Telephone 800-788-4417). Do not return product to place of purchase. Customer must return the product along with a brief description of the problem and provide Winegard Technical Services with Customer's name, address, and phone number. Customer must also provide proof of purchase to verify the product is under warranty. If the product is returned before the expiration of the warranty period,

Winegard Company will (at its option) either repair or replace the product. This Limited Warranty does not apply if the product has been damaged, deteriorates, malfunctions or fails from: improper installation, misuse, abuse, neglect, accident, tampering, modification of the product as originally manufactured by Winegard in any manner whatsoever, removing or defacing any serial number, usage not in accordance with product instructions or acts of nature such as damage caused by wind, lightning, ice or corrosive environments such as salt spray and acid rain.

RETURN AUTHORIZATION POLICY

A Return Material Authorization (RMA) is required prior to returning any product to Winegard Company or Winegard Warranty Services under this warranty policy. Please call our Technical Services Department at (800) 788-4417 or send an e-mail to warranty@winegard.com to obtain the RMA number. Please furnish the date of purchase when requesting an RMA number. Enclose the product in a prepaid package and write the RMA number in large, clear letters on the outside of the package. To avoid confusion or misunderstanding, a shipment(s) without an RMA number(s) or an unauthorized return(s) will be refused and returned to Customer freight collect.

WINEGARD COMPANY DOES NOT ASSUME ANY LIABILITIES FOR ANY OTHER WARRANTIES, EXPRESS OR IMPLIED, MADE BY ANY OTHER PERSON.

ALL OTHER WARRANTIES WHETHER EXPRESS, IMPLIED OR STATUTORY INCLUDING WARRANTIES OF FITNESS FOR A PARTICULAR PURPOSE AND MERCHANTABILITY ARE LIMITED TO THE TWO YEAR PERIOD OF THIS WARRANTY.

In states that do not allow limitations on implied warranties, or the exclusion of limitation of incidental or consequential damages, the above limitations or exclusions do not apply.

Some states do not allow limitations on how long an implied warranty lasts, or the exclusion of limitation of incidental or consequential damages, so the above limitations or exclusions may not apply to you.

This warranty gives Customer specific legal rights. Customer may also have other rights that may vary from state to state.

Rev. 2/08