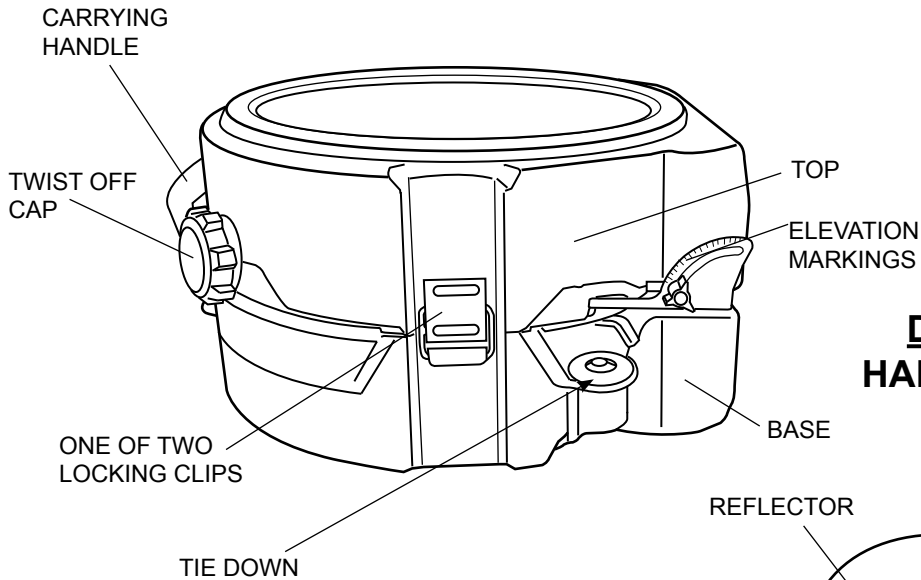


WINEGARD®

Carryout® MP1 Portable Satellite TV Antenna

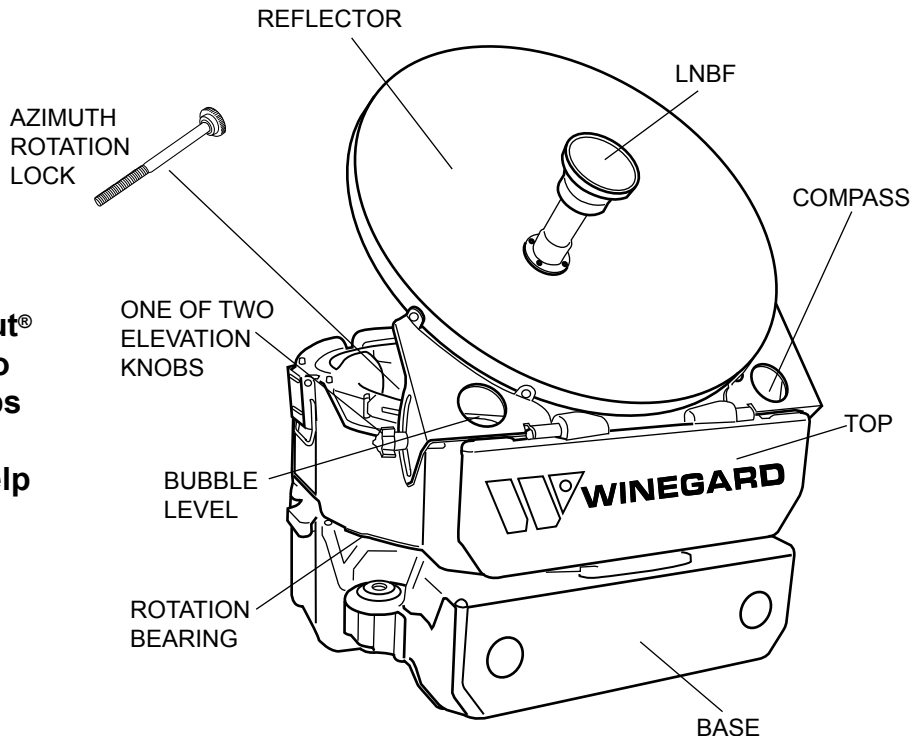
Model GM-MP1

U.S. Patent Pending



WARNING:
DO NOT USE LNBF AS A HANDLE AS IT CAN DAMAGE THE SYSTEM.

IMPORTANT:
When preparing the Carryout® MP1 for storage, be sure to tighten both elevation knobs to lock the reflector in the **DOWN** position. This will help protect it while you travel.



Select a Location:

The most important factor in finding the satellite is the location of the satellite dish. This is because the satellite signal will not pass through solid objects. Trees, plants, people, vehicles, buildings, signs and even glass will all block the satellite signal. Because of this, it is vital to select a location with a clear view of the southern sky.

The next thing to look for in a location is traffic. How likely is someone to disturb the MP1 by tripping over or driving into it? Does the coax cable cross a walking path or will people have to drive over the cable?

Finally, try to select a location that will allow the MP1 to sit level. The closer the unit is to level, the more accurate the look angles are for each search. This makes finding a satellite much easier.

Separate and Secure the MP1:

Once separated, place the TOP half with the reflector facing UP on the base. DO NOT use the LNBF or the reflector as a handle.

Remove the twist off cap from the top half of the MP1 and fill the TOP with water or sand. This will provide enough weight for the unit to stay on signal in most conditions. However, it is recommended that the unit be filled with sand in situations where the temperature could stay below freezing for more than a few hours. The case can be damaged if water is allowed to freeze inside the unit for an extended period of time.

Getting the Receiver ready for the MP1:

DIRECTV users can skip the following step.

DISH Network receivers will often not show when they are on signal if they have incorrect check switch information. For this reason, DISH Network users must clear their check switch before trying to search for a satellite. To do this for MOST DISH Network receivers:

Press [MENU] on the DISH Network Remote Control

Press [6] for System Set up

Press [1] for Installation

Press [1] for Point dish and signal meter

Once on this screen, find CHECK SWITCH and select it. Once on the CHECK SWITCH screen, make sure the receiver is NOT connected to a satellite dish. Run the test and save the results. This will prepare the receiver for the MP1. If the receiver is not connected during the test, it will always get the correct result.

Connecting the Cable(s):

The satellite receiver powers the LNBF by sending voltage up the coax cable to it. This voltage can damage many cable TV systems, so many things are designed to block this voltage. Items such as splitters, video switches and many wall plates will stop the satellite signal. For this reason, it is important to run the cable directly from the satellite receiver to the MP1 when searching for a signal.

For dual tuner receivers it will be necessary to connect two coax cables from the MP1 to the receiver.

Finding a Satellite:

For most DISH Network receivers, the look angles for your search can be found by entering a zip code into the Point Dish and Signal Meter screen. Make sure that the skew angle is N/A. If you have a SKEW angle listed, consult the receiver manual to determine how to set the receiver for DISH 300.

It is important to enter the zip code for your CURRENT location not your residence into the receiver.

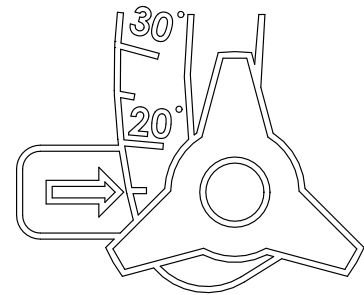
The majority of DISH Network programming is on DISH Network 119° satellite, so make sure that this satellite is selected before starting a search.

DIRECTV users can find their look angles by entering a zip code into the installation guide. In most cases, the receiver will ask for this shortly after you select the Round Dish option.

The majority of DIRECTV programming is on DIRECTV 101° satellite, so make sure that this satellite is selected before starting a search.

Set the receiver on the signal meter.

The first angle to set is the elevation angle. Loosen the elevation knobs so that reflector can be raised until the arrow on the side of the unit points at the elevation listed on the receiver. Once the elevation is set, tighten the elevation knobs to lock this in.



With the elevation locked, rotate the top of the MP1 on its base. Sweep in a slow arc across the southern sky until the signal meter registers a signal. Once a signal is found, slowly move the MP1 to fine tune and improve the signal.

It may be necessary to change the elevation $\pm 3^\circ$ and repeat the search to find a signal.

After the MP1 is locked on the signal, insert the Azimuth lock knob in to the hole in the center of the unit and tighten it down to hold the two halves together. BE CAREFUL not to move the unit while inserting the lock as this can move the unit off of the signal.

For best results, it is recommended to insert stakes (not provided) through the tie downs on the base of the MP1 to increase stability. DO NOT use the locking clip as a tie down.

Packing up the MP1:

Remove the Azimuth lock knob and reinsert it into its holding slot.

Disconnect the coax from the receiver and carefully coil the coax back into the space under the reflector.

Loosen the elevation knobs and lower the reflector.

Tighten the elevation knobs to lock the reflector in place.

Remove the drain cap and empty the water or sand from the top half of the unit.

Replace the drain cap and remove any stakes holding the unit down.

Set the top half on the base and lock the two halves together.

Let us help you with any questions you might have:

Winegard can answer questions or give pointers when you are ready to set the MP1 up for the first time.

1-800-788-4417 or mobiletechhelp@winegard.com

**WINEGARD MOBILE PRODUCTS LIMITED WARRANTY
(2 YEARS PARTS; 1 YEAR LABOR)**

Winegard Company warrants this product against defects in materials or workmanship for a period of two (2) years from the date of original purchase. During year one (1) of such warranty, Winegard Company will also pay authorized labor costs to an authorized Winegard dealer to repair or replace defective products. No warranty claim will be honored unless at the time the claim is made, Customer presents proof of purchase to an authorized Winegard dealer (to locate the nearest authorized Winegard dealer, contact Winegard Company, 3000 Kirkwood Street, Burlington, Iowa 52601, Telephone 800-288-8094 or visit www.winegard.com). Customer must provide proof of purchase with a dated sales receipt for the Winegard product to verify the product is under warranty. If the date of purchase cannot be verified, the warranty period shall be considered to begin thirty (30) days after the date of manufacture.

If a defect in material or workmanship is discovered, Customer may take the product to an authorized Winegard dealer for service. Customer must provide proof of purchase to verify the product is under warranty. If the product is brought to an authorized Winegard dealer for service prior to expiration of year one (1) of the warranty period and a defect in material or workmanship is verified by Winegard Technical Services, Winegard Company will cover the Winegard dealer's labor charges for warranty service. The Winegard dealer must contact Winegard Technical Services in advance for pre-approval of the service. Approval of the service is at the sole discretion of Winegard Company.

Alternatively, Customer may ship the product prepaid to Winegard Technical Services (located at 3111 Kirkwood Street, Burlington, Iowa 52601, Telephone 800-788-4417). Customer must return the product along with a brief description of the problem and provide Winegard Technical Services with Customer's name, address, and phone number. Customer must also provide proof of purchase to verify the product is under warranty. If the product is returned before the expiration of the warranty period, Winegard Company will (at its option) either repair or replace the product.

This Limited Warranty does not apply if the product has been damaged, deteriorates, malfunctions or fails from: improper installation, misuse, abuse, neglect, accident, tampering, modification of the product as originally manufactured by Winegard in any manner whatsoever, removing or defacing any serial number, usage not in accordance with product instructions or acts of nature such as damage caused by wind, lightning, ice or corrosive environments such as salt spray and acid rain. This Limited Warranty also does not apply if the product becomes unable to perform its' intended function in any way as a result of the television signal provider making any changes in technology or service.

RETURN AUTHORIZATION POLICY

A Return Material Authorization (RMA) is required prior to returning any product to Winegard Company or Winegard Warranty Services under this warranty policy. Please call our Technical Services Department at 800-788-4417 or send an e-mail to warranty@winegard.com to obtain the RMA number. Please furnish the date of purchase when requesting an RMA number. Enclose the product in a prepaid package and write the RMA number in large, clear letters on the outside of the package. To avoid confusion or misunderstanding, a shipment(s) without an RMA number(s) or an unauthorized return(s) will be refused and returned to Customer freight collect.

WINEGARD COMPANY DOES NOT ASSUME ANY LIABILITIES FOR ANY OTHER WARRANTIES, EXPRESS OR IMPLIED, MADE BY ANY OTHER PERSON.

ALL OTHER WARRANTIES WHETHER EXPRESS, IMPLIED OR STATUTORY INCLUDING WARRANTIES OF FITNESS FOR A PARTICULAR PURPOSE AND MERCHANTABILITY ARE LIMITED TO THE TWO YEAR PERIOD OF THIS WARRANTY.

In states that do not allow limitations on implied warranties, or the exclusion of limitation of incidental or consequential damages, the above limitations or exclusions do not apply.

Some states do not allow limitations on how long an implied warranty lasts, or the exclusion of limitation of incidental or consequential damages, so the above limitations or exclusions may not apply to you.

This warranty gives Customer specific legal rights. Customer may also have other rights that may vary from state to state.

SATELLITE RECEIVER WARRANTY:
See manufacturer's limited warranty policy.

WS-MOBWARREV2
Rev. 1/10

