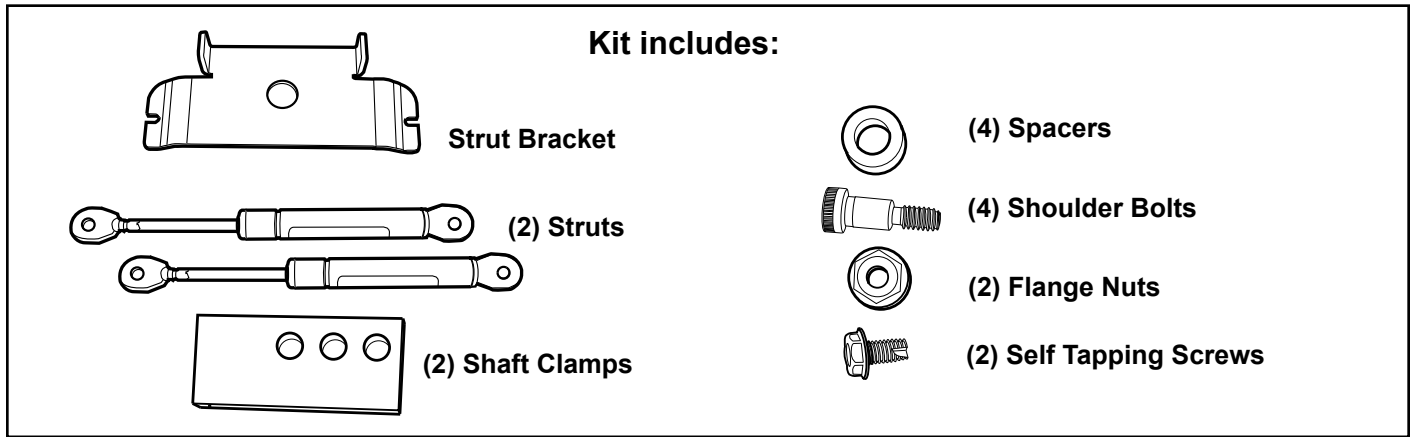


# RM-EX10 Installation Instructions



1. Raise the antenna all the way up.
2. Remove the shaft clamps using a 5/16th nut driver to remove the two screws holding each clamp. Set the screws aside to use in step 3.
3. Install the new shaft clamps. Install the clamps with the wide portion of the clamp to the outside of the lift arm. Make sure the shaft clamp is installed as shown in Figure 1.
4. Install Bracket. Place the Bracket over the gear housing as shown in Figure 2. Insert the two self-tapping screws and tighten them to hold the bracket in place.
5. Install Struts. Insert a shoulder bolt into the mounting hole in the fixed end of each strut. Place a spacer on each of these shoulder bolts so that the strut is between the spacer and the head of the shoulder bolt. See Figure 3. Thread the shoulder bolt into the hole on the side of the clamp installed on the lift arm. Tighten the shoulder bolt.
6. Repeat this process with the free end of the strut and insert the shoulder bolt into the hole in the bracket as shown in Figure 4. Thread the nut from the hardware bag onto the end of the shoulder bolt and tighten the screw.
7. Lower antenna.

