

WINEGARD® POWER SUPPLY

MADE IN U.S.A.
INSTRUCTIONS

MODEL PS-3015 (75 ohm)

**WARNING: TO REDUCE THE RISK OF FIRE OR ELECTRIC SHOCK,
DO NOT EXPOSE THIS APPLIANCE TO RAIN OR MOISTURE.**

CONSUMER 90 DAY WARRANTY

Winegard Company warrants this Winegard product against any defects in materials or workmanship within 90 (ninety) days from date of purchase. No warranty claim will be honored unless at the time the claim is made, you present proof of purchase to an authorized Winegard dealer (if unknown, please contact Winegard Company, 3000 Kirkwood Street, Burlington, IA 52601-2000, Telephone 800-288-8094).

Winegard Company (at its option) will either repair or replace the defective product at no charge to you. This warranty covers parts, but does not cover any costs incurred in removal, shipping or reinstallation of the product. The warranty does not extend to products which have been subjected to misuse, improper installation, or to damage caused by wind, lightning, ice or other occurrences over which the manufacturer has no control.

The 90 Day Warranty is provided on the condition that the equipment is properly delivered with all handling and freight charges prepaid to your Winegard dealer for return to our factory for repair or replacement. Winegard dealers will arrange for the replacement or repair and return to you without charge the product which failed due to defective material or workmanship.

WINEGARD COMPANY WILL NOT ASSUME ANY LIABILITIES FOR ANY OTHER WARRANTIES, EXPRESS OR IMPLIED, MADE BY ANY OTHER PERSON.

ALL OTHER WARRANTIES WHETHER EXPRESS, IMPLIED OR STATUTORY INCLUDING WARRANTIES OF FITNESS FOR A PARTICULAR PURPOSE AND MERCHANTABILITY ARE LIMITED TO THE 90-DAY PERIOD OF THIS WARRANTY.

The foregoing shall be the sole and exclusive remedy of any person, whether in contract, tort or otherwise, and Winegard shall not be liable for incidental or consequential damage or commercial loss, or from any other loss or damage except as set forth above.

Some states do not allow limitations on how long an implied warranty lasts, or the exclusion of limitation of incidental or consequential damages, so the above limitations or exclusions may not apply to you.

This warranty gives you specific legal rights and you may also have other rights which vary from state to state.

Rev. 2/08

DESCRIPTION

Winegard's Model PS-3015 power supply is designed to supply a regulated +24VDC to a 75 ohm coaxial line for operation of line amplifiers. The PS-3015 supplies up to 1.5 amp at +24VDC to the ANT input connector and passes RF frequencies from 50 to 1500 MHz between input and output. DC power is blocked to the RCVR output connector.

SPECIFICATIONS

Input Voltage 100 - 240 VAC 60 Hz

Output Voltage 24VDC +/- 1V

Output Current 1.5 Amps Max

Ripple 240 mVpp

Bandpass 50 - 1500 MHz

Short Protected

Operating Temperature 0 – 40 degrees C

NOTE: A high quality 75 ohm coaxial cable should be used to connect the line amplifiers to the receiver. As DC current is passed through the cable to power the amplifiers, DC resistance of the cable should be considered. Cables with solid copper center conductors and copper braid should be selected over those with steel center conductors and aluminum braid.

INSTRUCTIONS

STEP 1. The power supply may be installed on any flat surface or with brackets provided can be rack or edge mounted. Refer to figures 1-3. Location should be near the power source (120 VAC) which is on all the time.

STEP 2. Install "F" connector on coax cable connected to line amplifiers. Connect to terminal on power supply marked "ANT".

STEP 3. Make connection between output of power supply and input of equipment. Plug power supply into AC receptacle.

MOUNTING OPTIONS:

FIGURE 1
SURFACE MOUNT

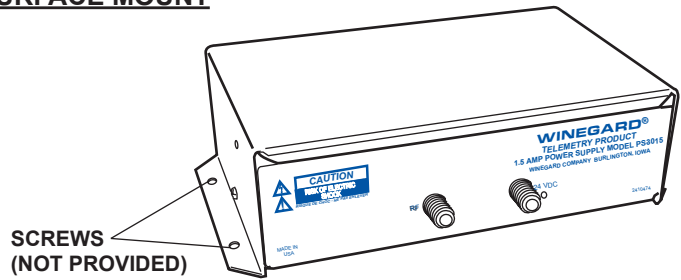


FIGURE 2
RACK MOUNT

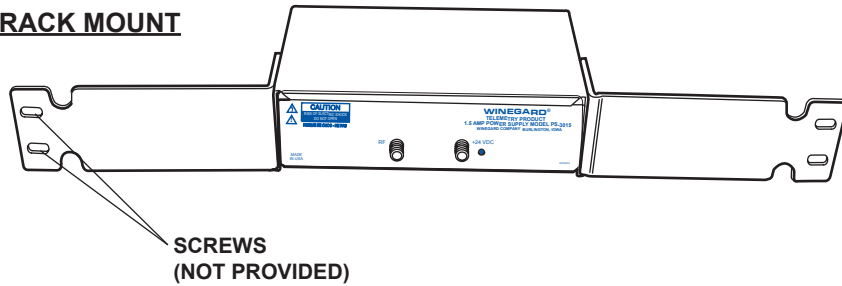
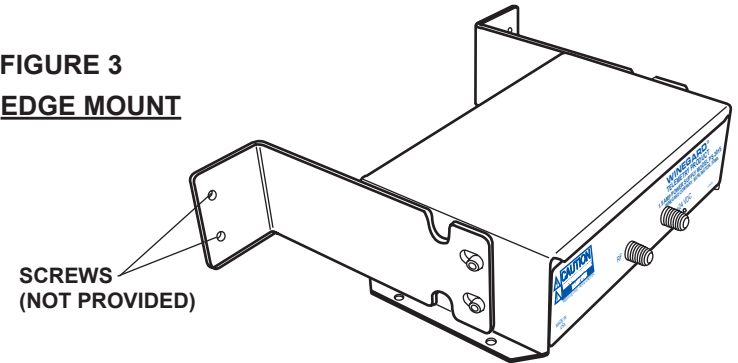


FIGURE 3
EDGE MOUNT



WARNINGS:

1. An apparatus with Class 1 construction shall be connected to a Mains socket outlet with a protective earthing connection.
2. Where the Mains plug or an appliance coupler is used as the disconnect device, the disconnect device shall remain readily operable.
3. The apparatus shall not be exposed to dripping or splashing and no objects filled with liquids, such as vases shall be placed on the apparatus.