

WINEGARD®

MOTORIZED SENSAR® ANTENNA

Model MA1000W

MADE IN U.S.A.

U.S. Patents D500,496 and 7,358,909

INSTALLATION MANUAL

CAUTION: This system is not for use with antenna in raised position while vehicle is in motion.

Model MA1000W has white antenna head and white turret.

Unit packed as follows:

Motorized Mount with booms attached.

Antenna Head

Hardware Bag

Instructions

Antenna Power Supply

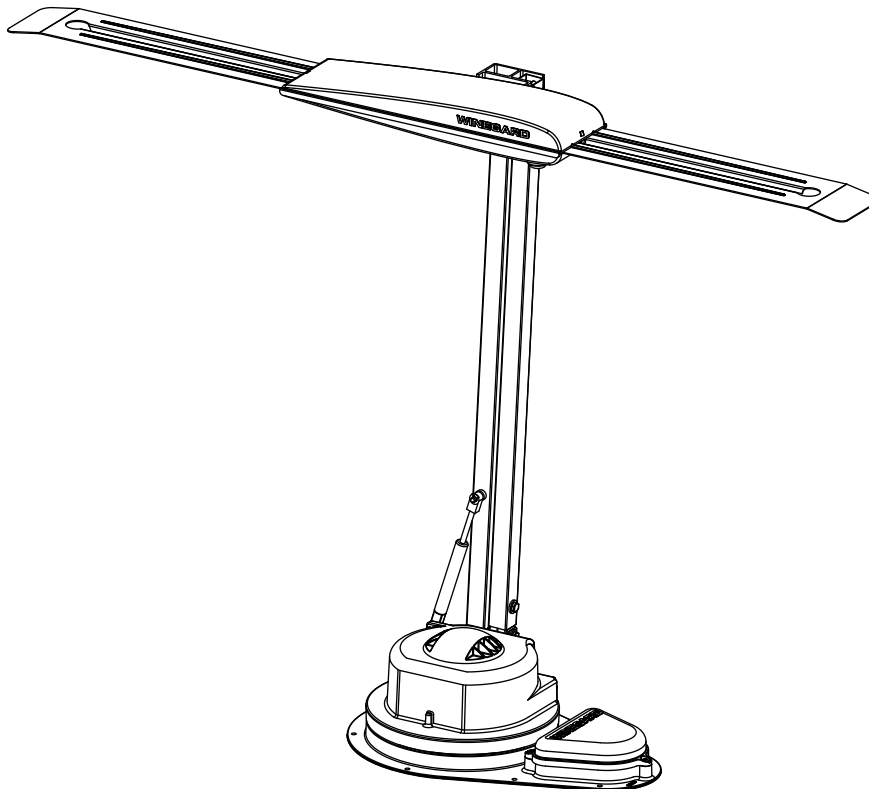
Coax Cable

Power Cable

Control Cable

Read Installation Instructions before installing unit.

Read Motorized Sensor Operation before operating unit.



Tools Needed/Specifications

Tools needed for installation

Tape measure	7/16" wrench
Cutter	5/16" socket/nut driver
Phillips screwdriver	1-1/2" to 3" hole saw (cable entry hole)
Electric or cordless drill	Sealant compatible with roof material (check with your vehicle manufacturer for compatibility)
1/8" drill bit (for pilot holes)	

System Specs for Motorized Sensor

Electronic Specifications:

Operating Voltage Nominal 12VDC - Operating range 9.5 VDC to 15.5 VDC
Current draw of electronics when Power Light is off — Nominal 500uA, 1.5mA Max.
Current draw of electronics when Power Light is on — Nominal 46mA, 70mA Max.
Current draw of electronics when Power Light is on and motor running — 3 amp Max.
Control Panel Size: 4.5 x 4.5
Control Panel Weight: .5 lbs.
Warning Device – .2 amps (not included)

Mount Specifications:

Height Lowered: 5-1/2"
Height Raised: 33-1/2"
Roof Space Required: 13.5 x 66" (Stowed position)
Turning Diameter: 52"
Weight of Mount: 11.25 lbs.

General Specifications:

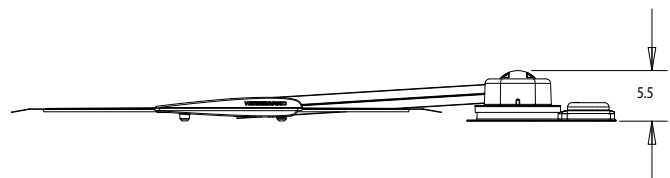
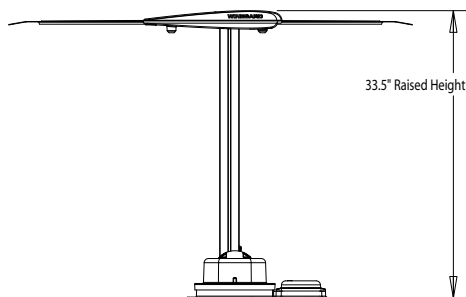
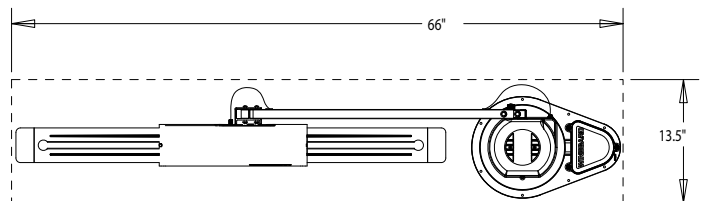
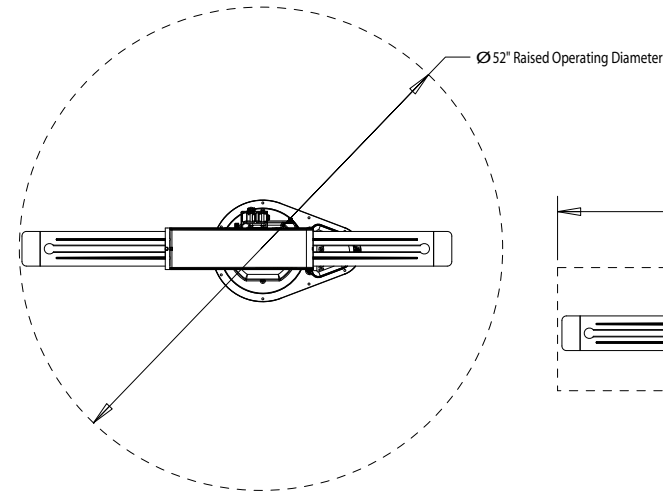
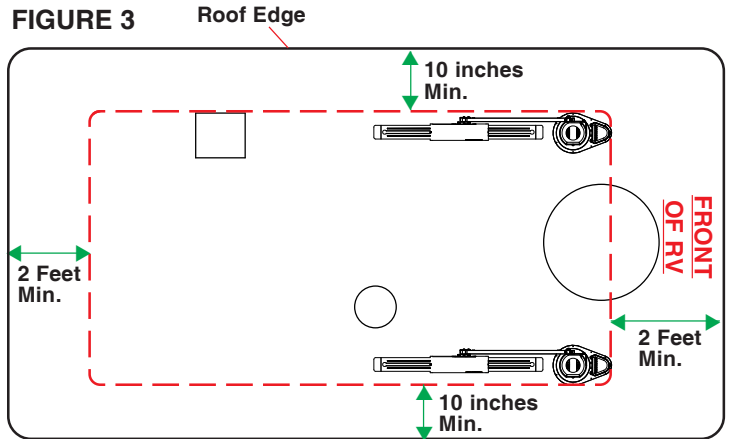
Operating Temperature: -10 to +130F
Humidity 90% noncondensing
Shipping Weight OEM Models: 18.25 lbs.
Carton Size: 48" x 12" x 10-3/4"

Pre-Installation Requirements

To install the Winegard Motorized Sensar antenna, check with your RV dealer or manufacturer. Your RV may already be pre-wired for this system, and/or may have a reinforced roof area available.

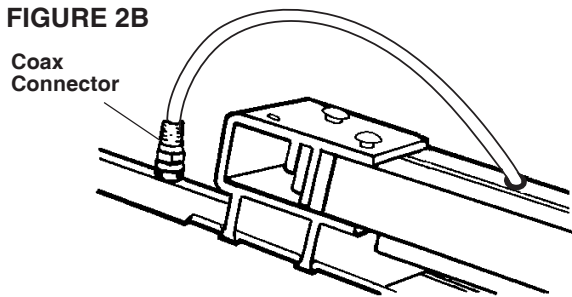
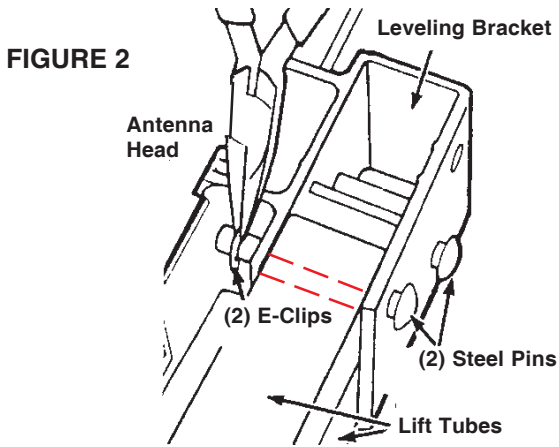
STEP 1: Choose location for antenna system on roof area. Figure 3 illustrates placement of system, showing it in travel position. You must be able to raise and rotate antenna without interfering with other roof-mounted equipment. When selecting location, keep in mind how you will route the cables to and from mount. **Beware of any obstacles in roof area that may interfere with or be damaged during installation.**

STEP 2: Choose location inside RV for mounting control panel. It is recommended that the control panel be in viewing area of most watched TV so you can see TV picture to turn antenna to best picture reception for your area. A 12VDC power source must also be available.



Roof Installation

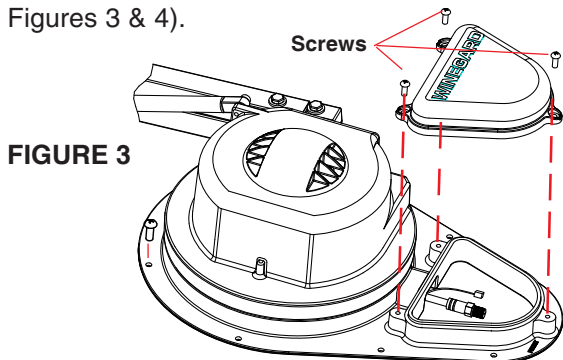
STEP 1: Attach antenna head to booms shown in Figure 2 using two pins and E-Clips found in hardware package. Fasten coax to antenna head. See Figure 2B. Tighten coax connection per instruction decal on antenna head.



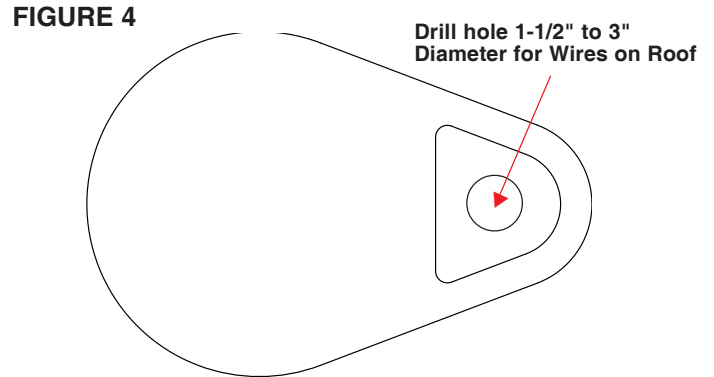
STEP 2: Winegard has included two options for routing the control and coax cables for the MA1000W. Option 1 is used to route cables below the base of the motorized sensor, where wires will be run through ceiling of the motor home. This is the factory installed mounting option. Option 2 is used to route cables along the roof of motor home. Remove factory mounted triangle-shaped cover and use cut-out cover and hardware included in hardware bag.

OPTION 1:

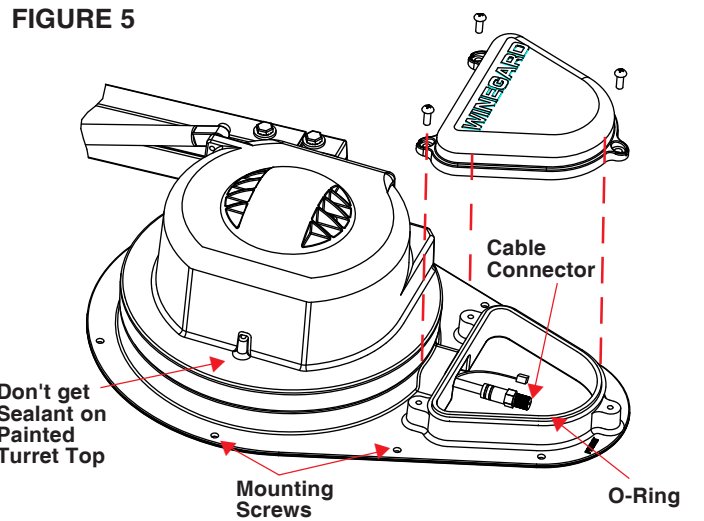
STEP 1: Remove the three screws holding triangle-shaped cover with WINEGARD on it from the antenna base. You will see a coax cable and control cable (approx. 6" long). With antenna system positioned on roof, trace the outline of the mount and also trace the inside wall outline of cable area. Set mount off to the side of the traced area. (See Figures 3 & 4).



STEP 3: In traced triangular area for cables, drill a hole (1.5" to 3" Dia.) in roof. Route cables through roof to where you have selected control panel to be mounted. See Figure 4.



STEP 4: Place antenna system on your previously selected traced location, and fasten in place with mounting screws. Depending on roof construction you may need to drill pilot holes for mounting screws. See Figure 5.



STEP 5: Make cable connections from wires on the roof, to wires in mount. Apply approved sealant around cable entry hole. Replace cover over cable area making sure O-Ring is in place. Then tighten the three cover screws. See Figure 5.

STEP 6: After antenna is secured to roof, apply approved sealant around edge of mount and over screw heads. **NOTE: Consult RV manufacturer for approved sealant.**

OPTION 2:

Step 1: Place antenna system on your selected roof location, and fasten in place with mounting screws. Depending on roof construction, you may need to drill pilot holes for mounting screws. (See Figure 5 on page 4).

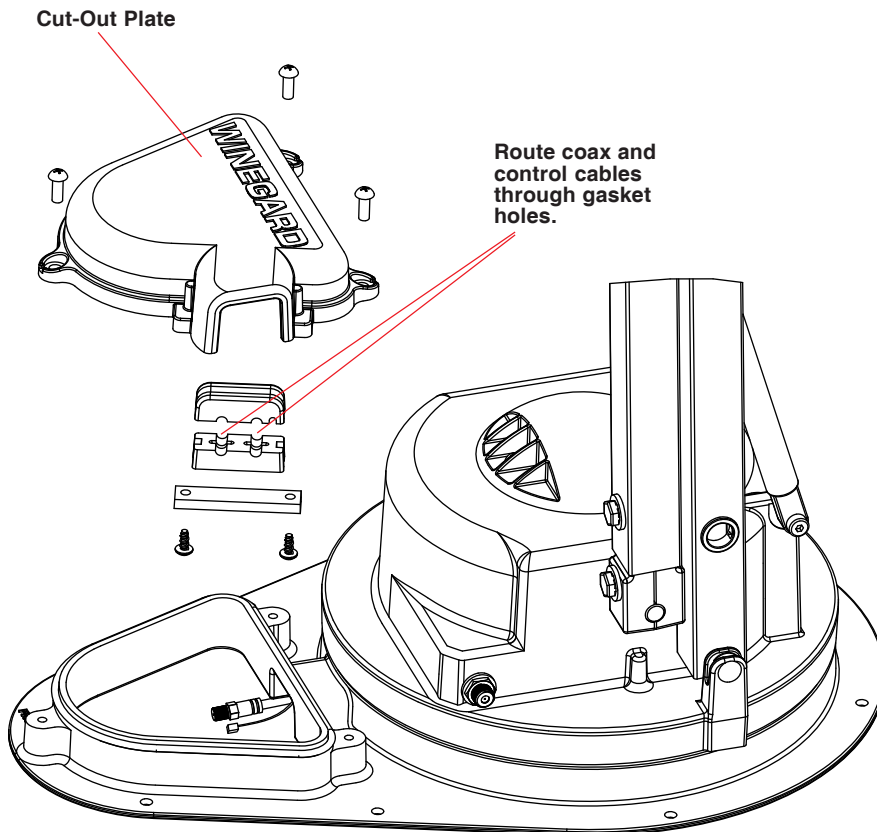
Step 2: Remove the three screws holding triangle-shaped cover with WINEGARD on it from antenna base. This plate will not be used. Locate cut-out triangle-shaped cover with WINEGARD on it and gasket hardware from included hardware kit (see Figure 6 for part descriptions).

Step 3: You will see a coax cable and control cable (approx. 6" long) under cover. Connect included 25' coax cable to coax cable in mount. Connect 25' control cable to control cable in mount. See Figure 6 for routing cables through gasket in cut-out cover. **Seal around gasket and in between where cables are routed with silicone sealant.** Replace cover over cable area making sure O-Ring is in place. Snugly tighten the three cover screws, **do not over tighten!** See Figure 5.

Step 4: Route cables along roof to where control board and power supply will be located. Drill a hole (1.5" to 3" Dia.) into roof and route cables through hole. Place cable entry plate over hole and secure to roof using supplied screws.

Step 5: After antenna and cable entry plate is secured to roof, apply approved sealant around edge of mount and cable entry plate, and over screw heads. **NOTE: Consult RV manufacturer for approved sealant.**

FIGURE 6



Inside Installation

Control Panel Installation

STEP 1: Run control cable from roof mount to control panel. Do not connect to control panel at this time.

STEP 2: Connect power cable to a fused 12VDC source. It is recommended that the power source is separate from other appliances, to avoid possible electrical interference. Do not connect wire to control panel at this time. **Note: Orange wire supplied for optional "Antenna Up" warning. DO NOT connect it to a 12VDC power source.**

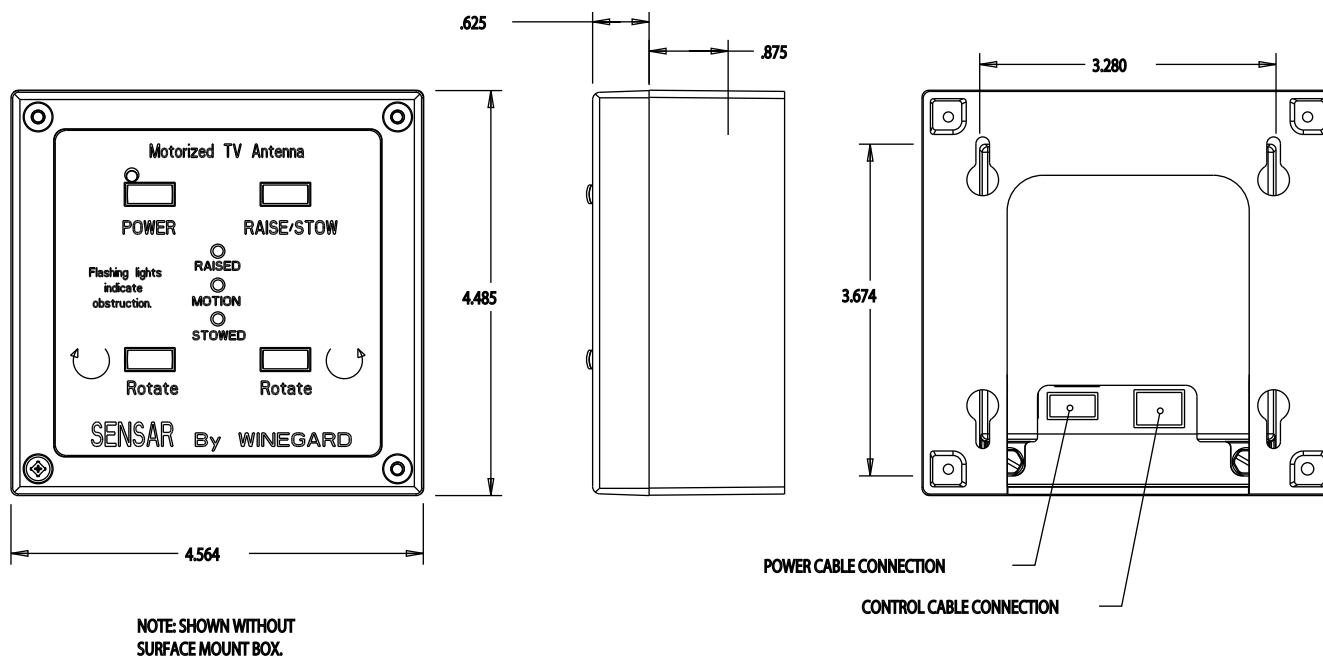
STEP 3: Run coax cable from roof mount to power source for antenna head preamplifier. Power source may be a powered 12VDC video switch or wall plate power supply. Connect a second coax cable from power source to television.

STEP 4: Control panel can be mounted directly to surface providing surface has sufficient space behind panel for wiring. Should you be limited to space behind panel or choose not to have wires concealed behind control panel, you can use the surface mount box.

STEP 5: After prepping area to mount control panel, test fitting to make sure it fits in location correctly, and connect control cable and power wires to panel. Then secure panel to it's location.

Refer to Operations Manual for instructions to raise, lower, and rotate antenna.

Control Panel



Returned units damaged in shipping due to improper packing will be charged to the dealer/customer.

**WINEGARD MOBILE PRODUCTS LIMITED WARRANTY
(2 YEARS PARTS; 1 YEAR LABOR)**

Winegard Company warrants this product against defects in materials or workmanship for a period of two (2) years from the date of original purchase. During year one (1) of such warranty, Winegard Company will also pay authorized labor costs to an authorized Winegard dealer to repair or replace defective products. No warranty claim will be honored unless at the time the claim is made, Customer presents proof of purchase to an authorized Winegard dealer (to locate the nearest authorized Winegard dealer, contact Winegard Company, 3000 Kirkwood Street, Burlington, Iowa 52601, Telephone 800-288-8094 or visit www.winegard.com). Customer must provide proof of purchase with a dated sales receipt for the Winegard product to verify the product is under warranty. If the date of purchase cannot be verified, the warranty period shall be considered to begin thirty (30) days after the date of manufacture.

If a defect in material or workmanship is discovered, Customer may take the product to an authorized Winegard dealer for service. Customer must provide proof of purchase to verify the product is under warranty. If the product is brought to an authorized Winegard dealer for service prior to expiration of year one (1) of the warranty period and a defect in material or workmanship is verified by Winegard Technical Services, Winegard Company will cover the Winegard dealer's labor charges for warranty service. The Winegard dealer must contact Winegard Technical Services in advance for pre-approval of the service. Approval of the service is at the sole discretion of Winegard Company.

Alternatively, Customer may ship the product prepaid to Winegard Technical Services (located at 3111 Kirkwood Street, Burlington, Iowa 52601, Telephone 800-788-4417). Customer must return the product along with a brief description of the problem and provide Winegard Technical Services with Customer's name, address, and phone number. Customer must also provide proof of purchase to verify the product is under warranty. If the product is returned before the expiration of the warranty period, Winegard Company will (at its option) either repair or replace the product.

This Limited Warranty does not apply if the product has been damaged, deteriorates, malfunctions or fails from: improper installation, misuse, abuse, neglect, accident, tampering, modification of the product as originally manufactured by Winegard in any manner whatsoever, removing or defacing any serial number, usage not in accordance with product instructions or acts of nature such as damage caused by wind, lightning, ice or corrosive environments such as salt spray and acid rain. This Limited Warranty also does not apply if the product becomes unable to perform its' intended function in any way as a result of the television signal provider making any changes in technology or service.

RETURN AUTHORIZATION POLICY

A Return Material Authorization (RMA) is required prior to returning any product to Winegard Company or Winegard Warranty Services under this warranty policy. Please call our Technical Services Department at 800-788-4417 or send an e-mail to warranty@winegard.com to obtain the RMA number. Please furnish the date of purchase when requesting an RMA number. Enclose the product in a prepaid package and write the RMA number in large, clear letters on the outside of the package. To avoid confusion or misunderstanding, a shipment(s) without an RMA number(s) or an unauthorized return(s) will be refused and returned to Customer freight collect.

WINEGARD COMPANY DOES NOT ASSUME ANY LIABILITIES FOR ANY OTHER WARRANTIES, EXPRESS OR IMPLIED, MADE BY ANY OTHER PERSON.

ALL OTHER WARRANTIES WHETHER EXPRESS, IMPLIED OR STATUTORY INCLUDING WARRANTIES OF FITNESS FOR A PARTICULAR PURPOSE AND MERCHANTABILITY ARE LIMITED TO THE TWO YEAR PERIOD OF THIS WARRANTY.

In states that do not allow limitations on implied warranties, or the exclusion of limitation of incidental or consequential damages, the above limitations or exclusions do not apply.

Some states do not allow limitations on how long an implied warranty lasts, or the exclusion of limitation of incidental or consequential damages, so the above limitations or exclusions may not apply to you.

This warranty gives Customer specific legal rights. Customer may also have other rights that may vary from state to state.

SATELLITE RECEIVER WARRANTY:
See manufacturer's limited warranty policy.

WS-MOBWARREV2
Rev. 1/10

