

WINEGARD®

Clone Box Operation for Data Recording for Movin' View Models

Power OFF unit *before* connecting Clone Box!!

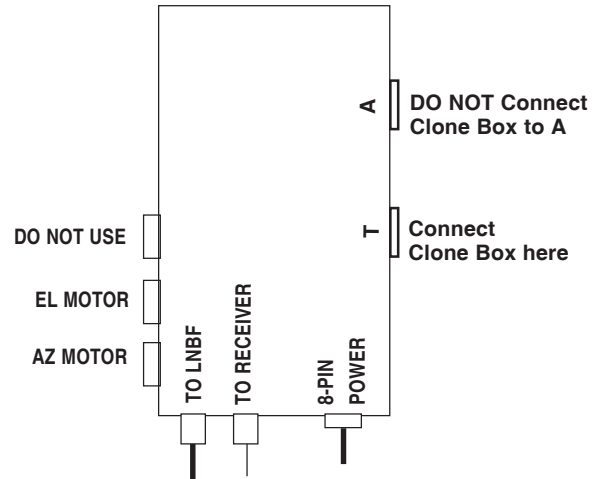
- Step 1.** Take off dome by removing bolts and top and bottom washers.
- Step 2.** Connect one end of the RJ-12 cable (6-conductor phone cable) to Port T on the main control box.
- Step 3.** Connect other end of cable to Clone Box.

WARNING: Do not connect cable to Port A of main control box. Make sure cable is in Port T before unit is powered on. The data recorded will be useless if the Clone Box is connected to Port A of the control box.

- Step 4.** Turn power on to unit.
- Step 5.** Clone Box is now recording data.
- Clone Box can hold up to 128 Kb of data.
 - Watch Clone Box LEDs as they go through the following sequence:
 1. LED 1-On LED 2-Off Power On
 2. LED 1-Flash ... LED 2-On Recorded <64 Kb
 3. LED 1-Flash ... LED 2-Flash Recorded >64 Kb and <128 Kb
 4. LED 1-On LED 2-On Memory Full

- Step 6.** When both LEDs are on, the Clone Box memory is full. Turn off power and disconnect cable from the main control box and Clone Box. Replace dome using bolts and top and bottom washers.

CONTROL BOX DETAIL



WINEGARD®
Clearly the World's Best®

Winegard Company • 3000 Kirkwood St. • Burlington, IA 52601 • 319/754-0600 • Fax 319/754-0787 • www.winegard.com
© 2003 Winegard Company 2452023

WINEGARD®

Clone Box Operation for Data Recording for Movin' View Models

Power OFF unit *before* connecting Clone Box!!

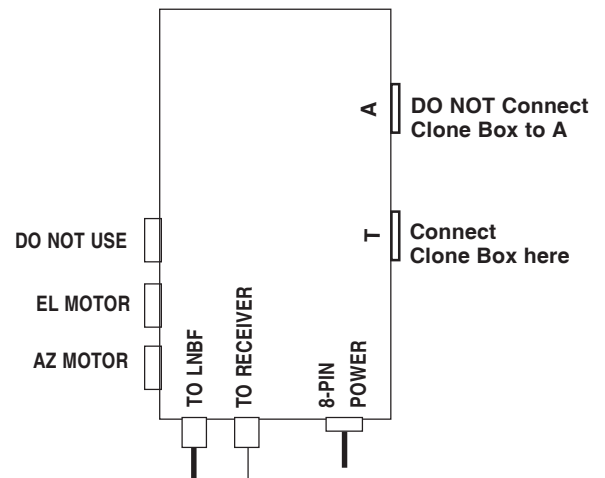
- Step 1.** Take off dome by removing bolts and top and bottom washers.
- Step 2.** Connect one end of the RJ-12 cable (6-conductor phone cable) to Port T on the main control box.
- Step 3.** Connect other end of cable to Clone Box.

WARNING: Do not connect cable to Port A of main control box. Make sure cable is in Port T before unit is powered on. The data recorded will be useless if the Clone Box is connected to Port A of the control box.

- Step 4.** Turn power on to unit.
- Step 5.** Clone Box is now recording data.
- Clone Box can hold up to 128 Kb of data.
 - Watch Clone Box LEDs as they go through the following sequence:
 1. LED 1-On LED 2-Off Power On
 2. LED 1-Flashing LED 2-On Recorded <64 Kb
 3. LED 1-Flashing LED 2-Flashing Recorded >64 and <128 Kb
 4. LED 1-On LED 2-On Memory Full

- Step 6.** When both LEDs are on, the Clone Box memory is full. Turn off power and disconnect cable from the main control box and Clone Box. Replace dome using bolts and top and bottom washers.

CONTROL BOX DETAIL



WINEGARD®
Clearly the World's Best®

Winegard Company • 3000 Kirkwood St. • Burlington, IA 52601 • 319/754-0600 • Fax 319/754-0787 • www.winegard.com
© 2003 Winegard Company 2452023