

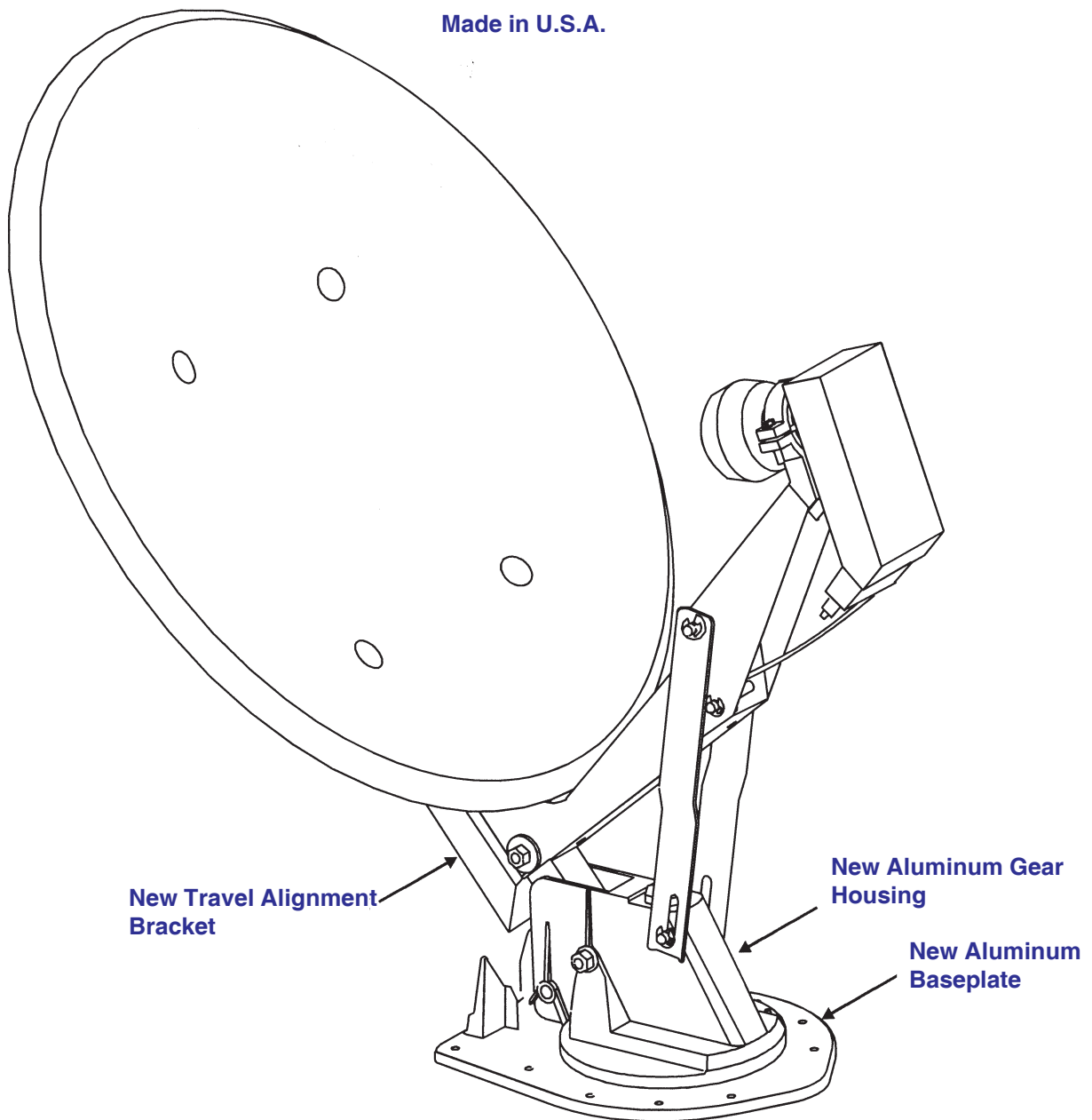
INSTALLATION INSTRUCTIONS

**WINEGARD**®

**RP-4600 Retrofit Kit**

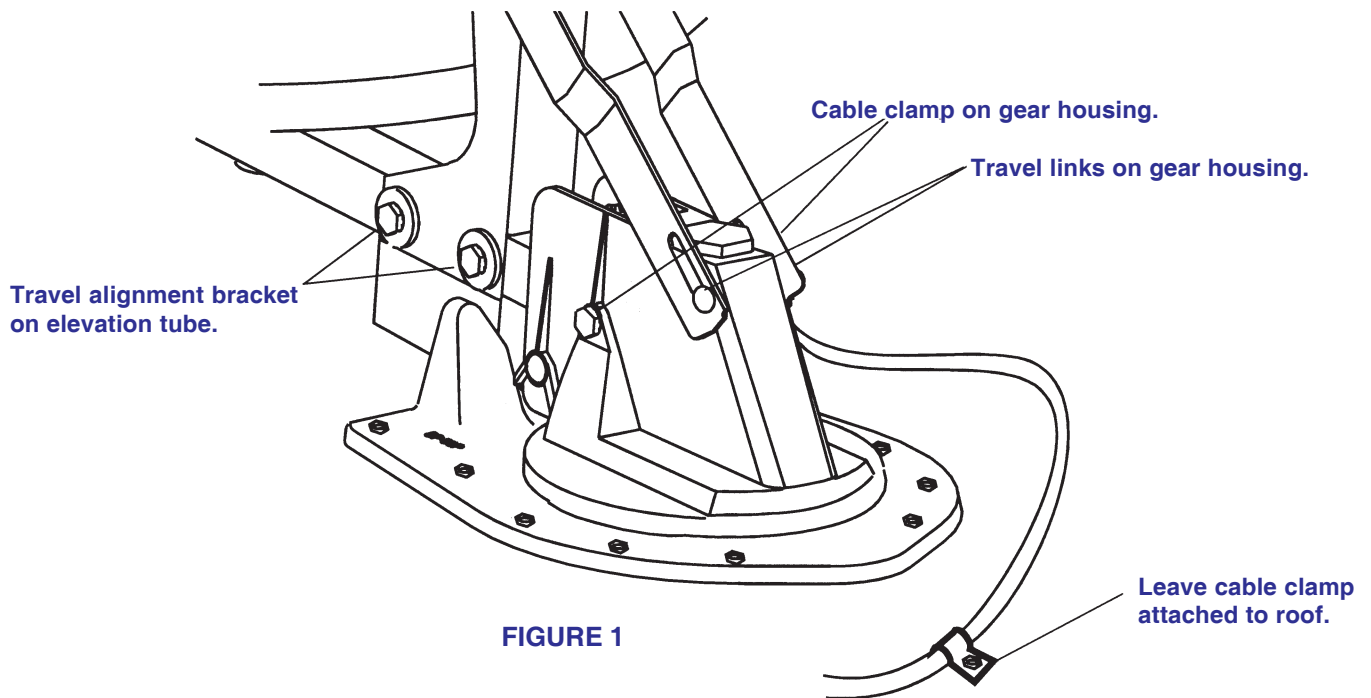
U.S. PATENT NOS. 5,532,710  
and 5,554,998

Made in U.S.A.



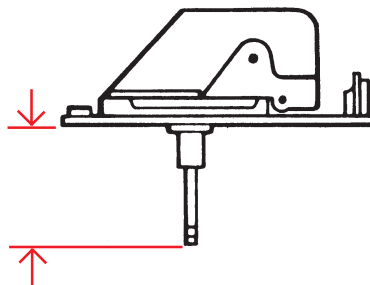
**STEP 1.** Inside the RV remove the elevation crank and rotation handle.

**STEP 2.** Remove antenna assembly from gear housing. See Figure 1.



**STEP 3.** Set the antenna assembly to the side. Remove the baseplate/ gear housing from roof.

**STEP 4.** Measure how long your existing elevation shaft is. See Figure 2.

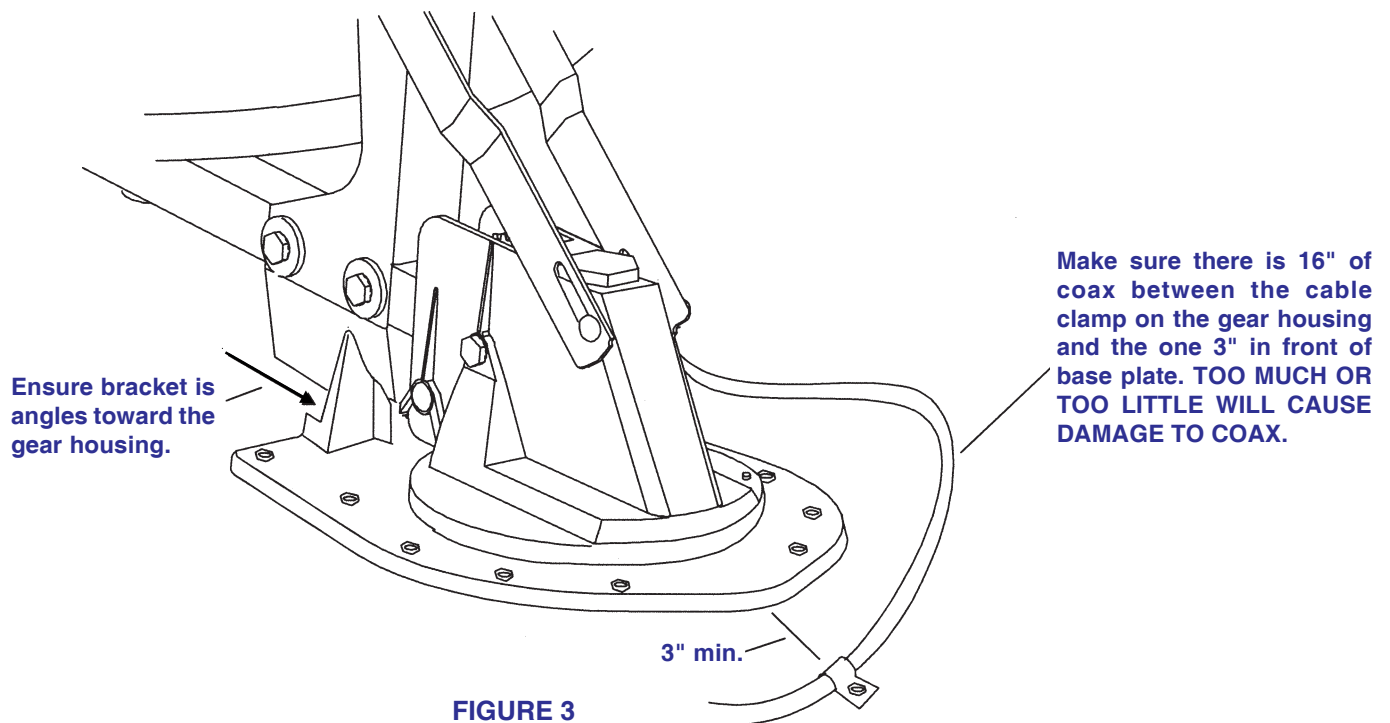


**STEP 5.** Cut the elevation shaft on the retrofit kit to the same length.

**STEP 6.** Remove existing caulking from the roof surface. This will help ensure that you will have a leak proof seal and that the elevation shaft is the correct length.

**STEP 7.** Attach the retrofit kit to the roof. Apply a liberal amount of nonhardening sealing compound on bottom of baseplate and roof area around holes. Secure baseplate using existing screws.

**STEP 8.** Attach new travel alignment bracket, see Figure 3. Make sure that bracket angle points towards the gear housing.



**FIGURE 3**

**STEP 9.** Reassembly antenna assembly onto the new gear housing. See Figure 3.

**STEP 10.** Reassemble interior controls (elevation crank and rotation handle).

**NOTE:** Your new gear housing allows for lower look angles (the new gear housing has look angle of 14° to 67° compare to the old gear housing 24° to 67°). Your existing manual and quick reference cards are obsolete. You must use the new quick reference card provided.

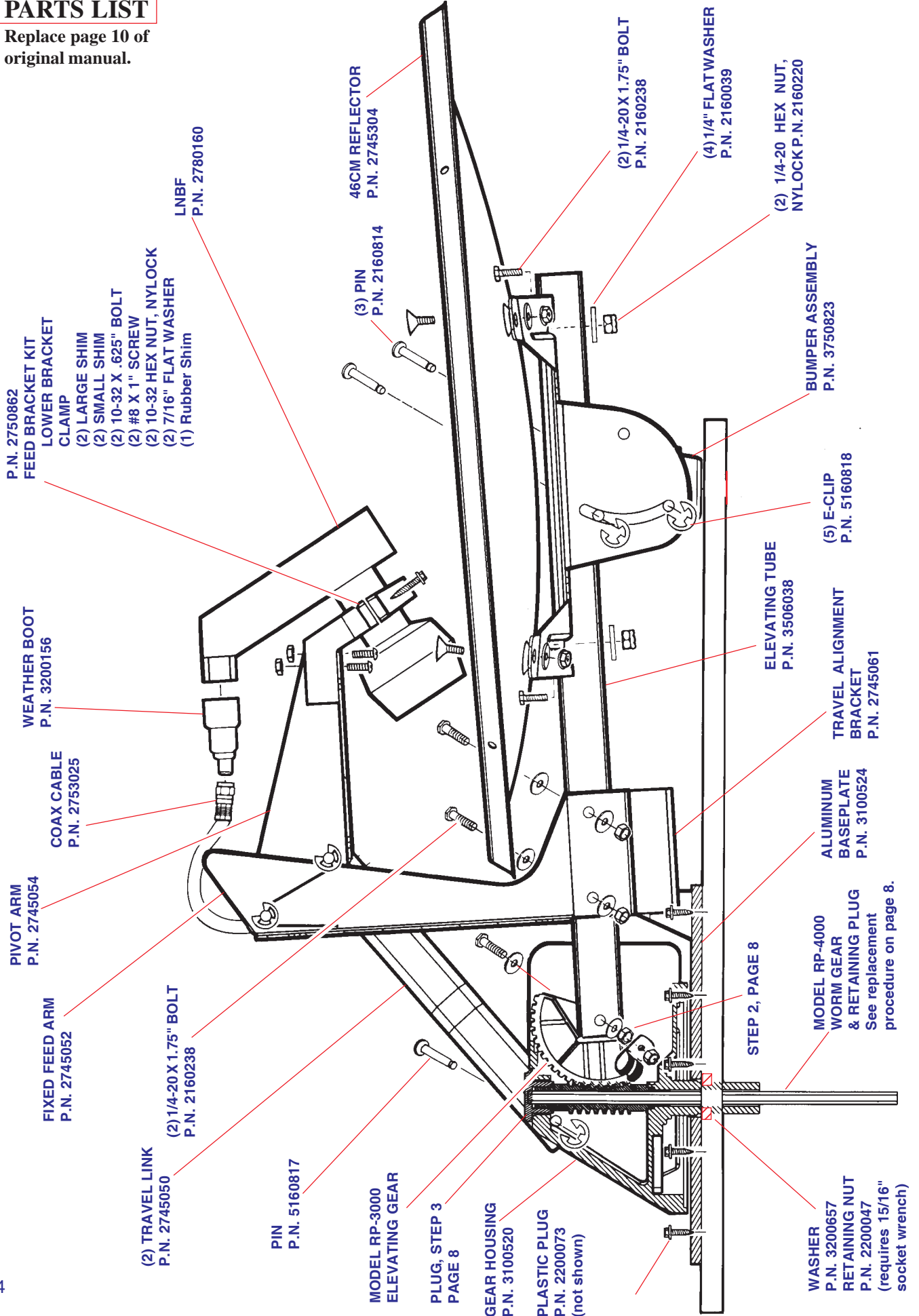
**STEP 11.** Copy Table 1 from this instruction sheet into your old manual.

ELEVATION	TURNS CCW
14 - 16°	NONE
17 - 19°	1/2
20 - 22°	1
23 - 26°	1-1/2
27 - 29°	2
30 - 32°	2-1/2
33 - 36°	3
37 - 39°	3-1/2
40 - 43°	4
44 - 46°	4-1/2
47 - 50°	5
51 - 53°	5-1/2
54 - 57°	6
58 - 60°	6-1/2
61 - 64°	7
65 - 67°	7-1/2

**TABLE 1**

# PARTS LIST

Replace page 10 of original manual.



P.N. 2750862

FEED BRACKET KIT  
LOWER BRACKET  
CLAMP

- (2) LARGE SHIM
- (2) SMALL SHIM
- (2) 10-32 X .625" BOLT
- (2) #8 X 1" SCREW
- (2) 10-32 HEX NUT, NYLOCK
- (2) 7/16" FLAT WASHER
- (1) Rubber Shim

LNBF  
P.N. 2780160

(3) PIN  
P.N. 2160814

46CM REFLECTOR  
P.N. 2745304

(2) 1/4-20 X 1.75" BOLT  
P.N. 2160238

(4) 1/4" FLAT WASHER  
P.N. 2160039

(2) 1/4-20 HEX NUT,  
NYLOCK P.N. 2160220

BUMPER ASSEMBLY  
P.N. 3750823

(5) E-CLIP  
P.N. 5160818

ELEVATING TUBE  
P.N. 3506038

TRAVEL ALIGNMENT  
BRACKET  
P.N. 2745061

ALUMINUM  
BASEPLATE  
P.N. 3100524

MODEL RP-4000  
WORM GEAR  
& RETAINING PLUG  
See replacement  
procedure on page 8.

STEP 2, PAGE 8

WASHER  
P.N. 3200657  
RETAINING NUT  
P.N. 2200047  
(requires 15/16"  
socket wrench)

(2) TRAVEL LINK  
P.N. 2745050

PIN  
P.N. 5160817

MODEL RP-3000  
ELEVATING GEAR

PLUG, STEP 3  
PAGE 8

GEAR HOUSING  
P.N. 3100520

PLASTIC PLUG  
P.N. 2200073  
(not shown)

FIXED FEED ARM  
P.N. 2745052

(2) 1/4-20 X 1.75" BOLT  
P.N. 2160238

PIVOT ARM  
P.N. 2745054

COAX CABLE  
P.N. 2753025

WEATHER BOOT  
P.N. 3200156