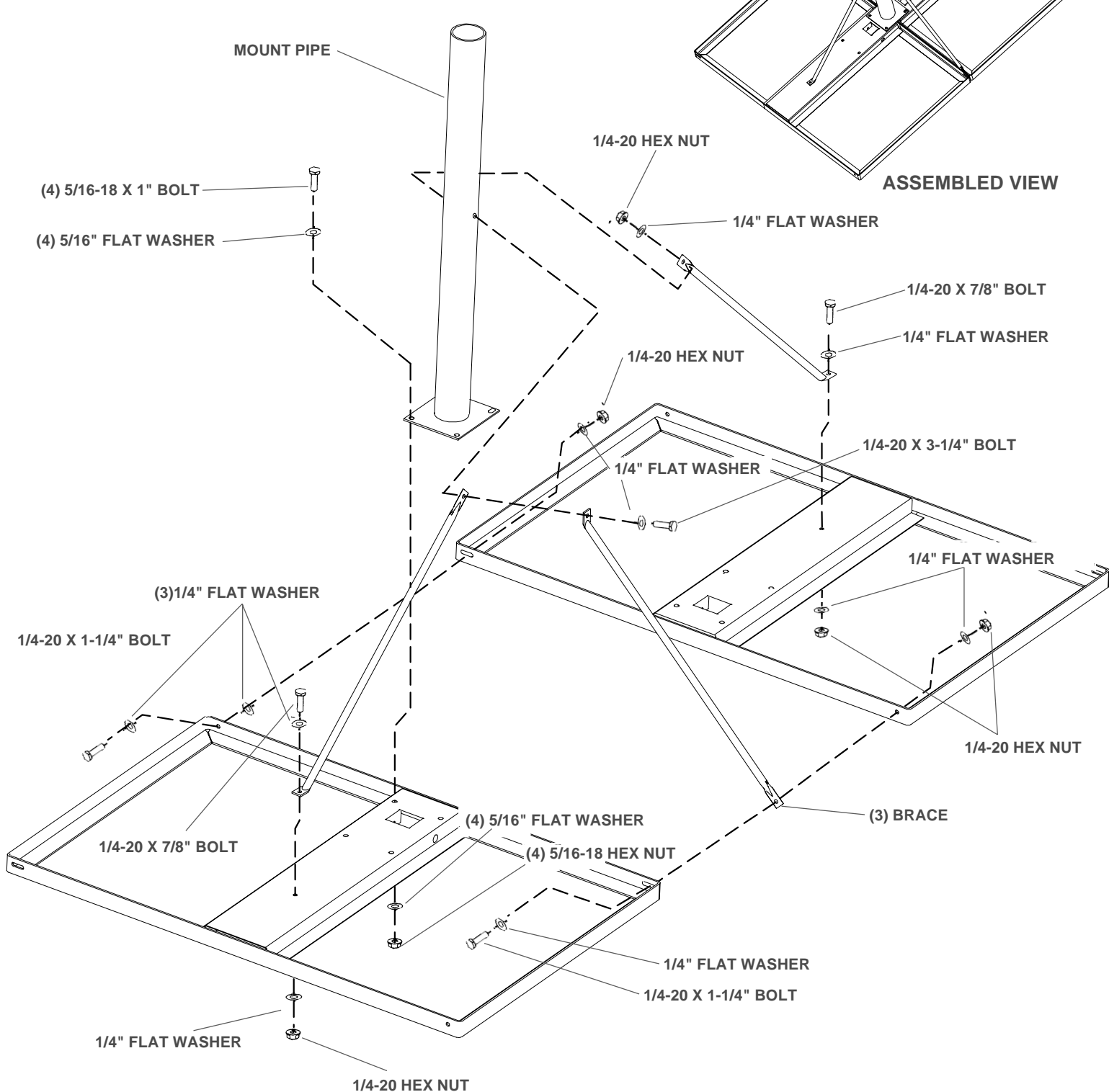


# WINEGARD®

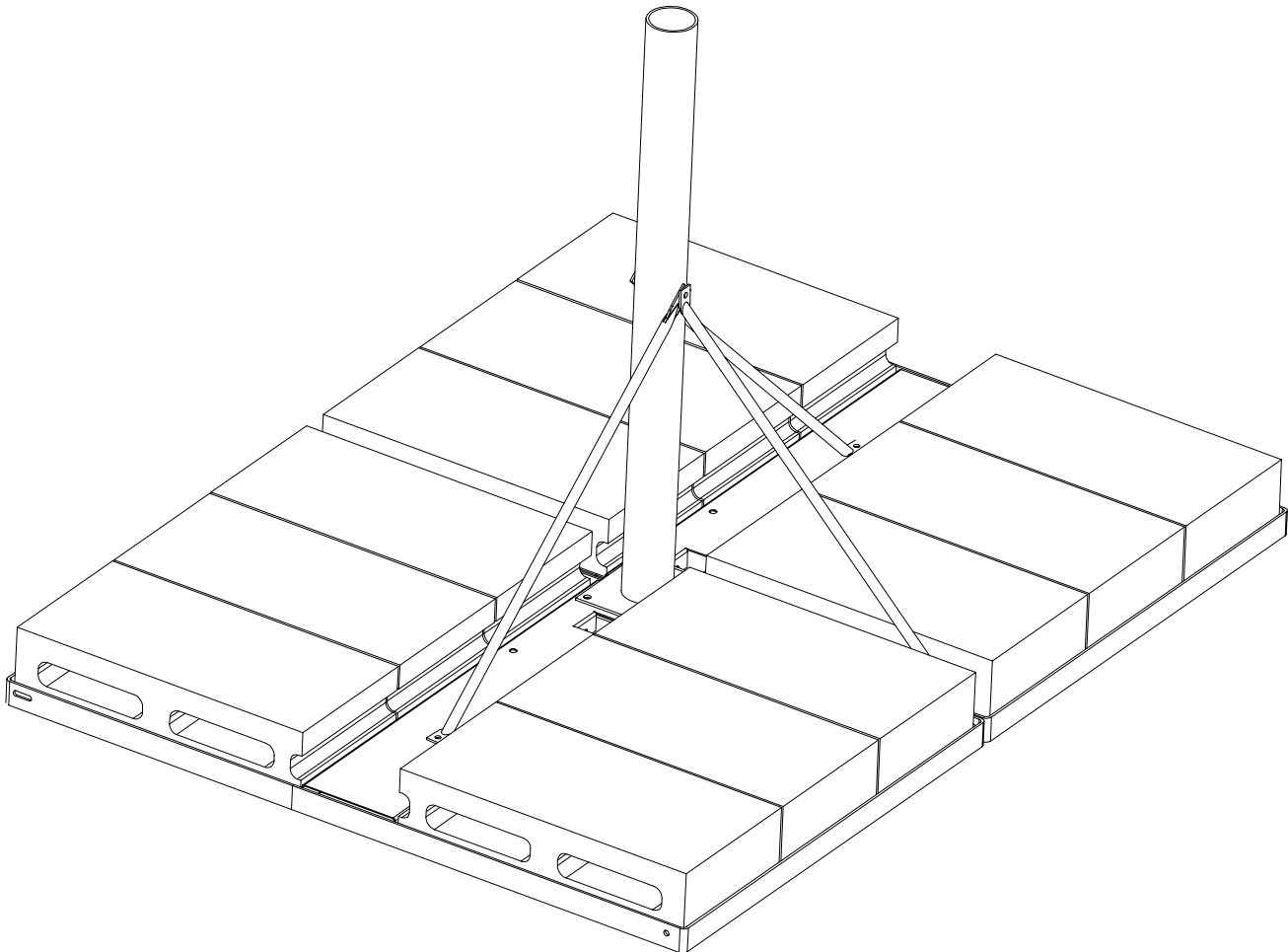
## Non-Penetrating Roof Mount

### Model DS-5001 Made in U.S.A. INSTRUCTIONS

**STEP 1:** Assemble two (2) DS-5046 Frames and DS-5001 Kit as shown below. This mount will hold up to a 1 meter antenna.



**STEP 2:** Set twelve (12) concrete blocks in place as shown below.



**WINEGARD MOUNT DISCLAIMER**

To insure maximum safety, Winegard recommends no installation be attempted without a professional engineer's structural analysis. Local zoning and/or building codes and insurance companies may require architect or structural engineer approval prior to installation. It is the purchaser's responsibility to verify that the above steps are taken.