

Winegard Company  
3000 Kirkwood St., Burlington, IA, 52601

Made in U.S.A.

Model CS-7750  
75 ohm  
(AC Passive, VHF side)

## VHF/UHF SEPARATOR/ COUPLER



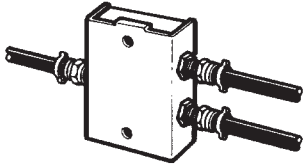
### INSTRUCTIONS

#### DESCRIPTION

Couples or separates VHF and UHF signals on 75 ohm coaxial line. AC passive, TV set side.

#### INSTRUCTIONS

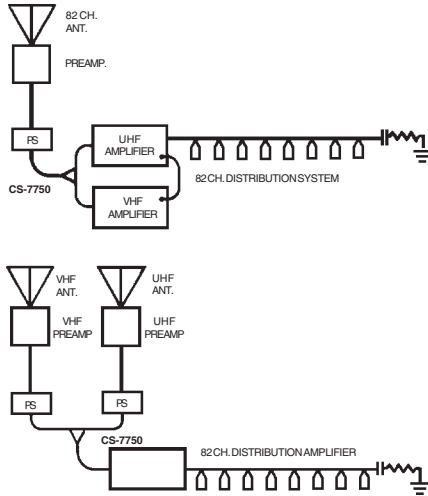
**STEP 1.** Attach coax connectors to lines to be separated or joined as per instructions.



**STEP 2.** Attach cables to appropriate jacks on CS-7750 and mount coupler with wood screws provided.

Printed in U.S.A. 2451640 Rev. 11/93  
© 1993 Winegard Company

#### SUGGESTED APPLICATIONS



This warranty gives you specific legal rights and you may also have other rights which vary from state to state.

Some states do not allow limitations on how long an implied warranty lasts, or the exclusion of incidental or consequential damages, or from incidental or consequential damage or loss, or from other loss or damage except as set forth above.

The foregoing shall be the sole and exclusive remedy of any person, whether in contract, tort or otherwise, and Winegard shall not be liable for incidental or consequential damage or commercial loss, or from the 90-DAY PERIOD OF THIS WARRANTY.

ALL OTHER WARRANTIES WHETHER EXPRESS, IMPLIED OR STATUTORY INCLUDING WARRANTIES OF FITNESS FOR A PARTICULAR PURPOSE AND MERCHANTABILITY ARE LIMITED TO THE EXTENT OF THIS WARRANTY.

WINEGARD COMPANY WILL NOT ASSUME ANY LIABILITIES FOR ANY OTHER WARRANTIES, EXPRESS OR IMPLIED, MADE BY ANY OTHER PERSON.

The 90 Day Warranty is provided on the condition that the equipment is properly delivered with all handling and freight charges prepaid to your Winegard dealer for return to our factory for repair or replacement. Winegard dealers will arrange for the replacement or repair and return to you without charge the product which failed due to defective material or workmanship.

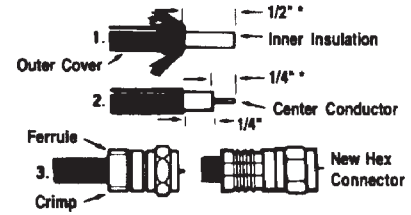
WINEGARD COMPANY WILL NOT ASSUME ANY LIABILITIES FOR ANY OTHER WARRANTIES, EXPRESS OR IMPLIED, MADE BY ANY OTHER PERSON.

Winegard Company (at its option) will either repair or replace the defective product at no charge to you. This warranty covers parts, but does not cover any costs incurred in removal, shipping or reinstallation of the product. The warranty does not extend to products which have been subjected to misuse, improper installation, or to damage caused by wind, lightning, ice or other occurrences over which the manufacturer has no control.

The Winegard Company warrants this Winegard product against any defects in materials or workmanship within 90 (ninety) days from date of purchase. No warranty claim will be honored unless at the time the claim is made, you present proof of purchase to an authorized Winegard dealer (if unknown, please contact Winegard Company, 3000 Kirkwood Street, Burlington, IA 52601-2000, Telephone 319-754-0600).

#### CONSUMER 90 DAY WARRANTY

#### INSTALLING FC-5900/FC-5901 CONNECTORS ON COAX CABLE



**STEP 1:** Strip outer cover back 1/2" from end of cable. Fray braid back as far as outer cover will allow.

**STEP 2:** Trim braid close to outer cover and remove 1/4" of inner insulation **being careful not to nick center conductor**. Make sure no foil or braid can touch center conductor.

**STEP 3:** Slide connector tip between braid and inner insulation (braid and foil, on foil shield cable) and push connector on cable as far as it will go. Crimp built-in ferrule with proper crimping tool. **Hex connector requires hex crimping tool. Do Not** crush cable out-of-round.

\* If installing in very hot weather, increase these dimensions 1/8".

**SENSAR ANTENNA**

**VCR**

**TV SET 1**

**TV SET 2**

**VIDEO CONTROL CENTER**

**TO RECORDER**

**TO SET 2**

**TO SET 1**

**CABLE IN**

**VCR IN**

**ANTENNA IN**

**REMOTE EYE**

**REMOTE EYE**

**RECEIVER**

**RF OUT**

**SPLITTER  
PD-1032**

**TYPICAL CONFIGURATION FOR OPERATION OF TWO (2) REMOTE EYES  
IN CONJUNCTION WITH A WINEGARD MODEL VS-1101 VIDEO CONTROL CENTER.**