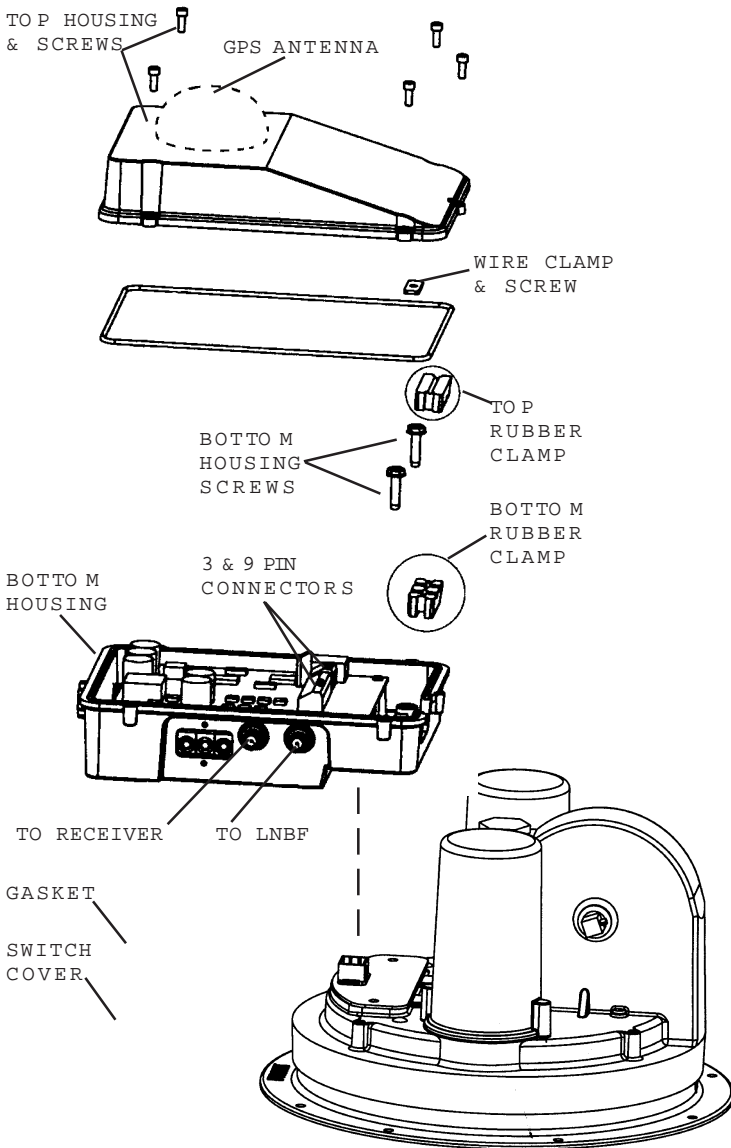


WINEGARD®

Electronic Box Replacement for AS-2003 With Attached GPS

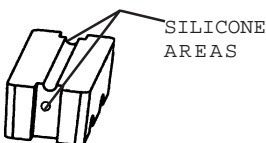
ELECTRONICS BOX REMOVAL:

1. Remove top housing screws (5).
2. Remove screw and wire clamp.
3. Remove O-ring and top rubber clamp.
4. Carefully remove 3 and 9 pin connectors.
DO NOT pry with screwdriver!
5. Remove coax connections.
6. Remove screws (2) holding bottom housing to turret.
7. To remove bottom housing, carefully rock slightly side to side while lifting.

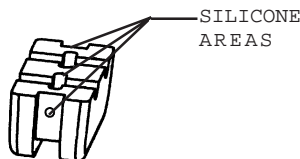


DETAIL, TOP RUBBER CLAMP

DETAIL, BOTTOM RUBBER CLAMP



SILICONE AREAS



SILICONE AREAS

INSTALLING NEW ELECTRONICS BOX:

(Silicone sealant not supplied.)

1. Place housing bottom on turret. Be sure the plug connections line up.
2. Push down on housing. Using thumb, push down on circuit board over top of plug connection. This will firmly seat the connector.
3. Fasten box with screws (2) removed before. Do not overtighten. This will strip threads!
4. Apply silicon sealer to groove around bottom rubber clamp and in wire O-ring grooves. Place in housing.
5. Lay 3 and 9 conductor cables and GPS cable in appropriate rubber grooves, placing O-rings in O-ring
6. Fasten wire clamp to hold wires in place. Do not pinch wires by tightening screw too far.
7. Plug the 3 and 9 pin connectors to circuit board. Be sure all pins are in connectors.
8. Apply silicone sealer (not provided) to grooves on side of top rubber clamp. Place clamp over wires.
9. Place large O-ring in bottom housing groove. Do not stretch ring while installing.
10. Replace top housing. Do not pinch GPS wire. (Tighten screws (5).
11. Replace coax to connectors on side. Connector closest to wire entrance is for LNBF.
12. Remove reflector.
13. Fasten bundled GPS wire to backup structure. (See illustration on page 3.)
14. Extend GPS wire. Tape wire to existing jacketed cable.
15. Attach reflector.
16. Remove cover over switches. Are they set correctly?
17. Check all external cable routings on mount and roof. Are they routed correctly?

ADDITIONAL DRAWINGS ON PAGE 3.

Electronic box replacement instructions for AS-2003 models with external GPS on next page.

WINEGARD®

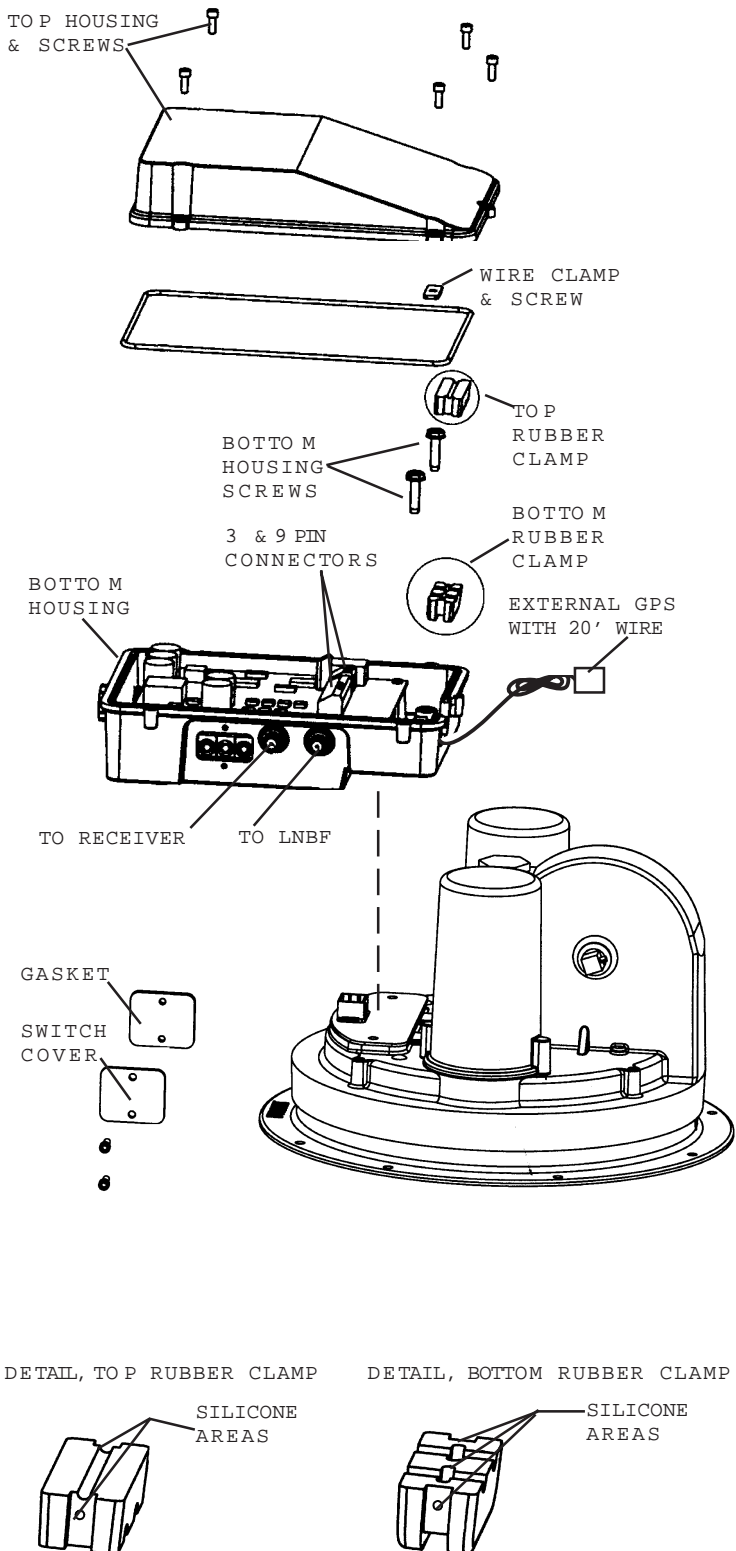
Electronic Box Replacement for AS-2003 With External GPS

ELECTRONICS BOX REMOVAL:

1. Remove top housing screws (5).
2. Remove screw and wire clamp.
3. Remove O-ring and top rubber clamp.
4. Carefully remove 3 and 9 pin connectors. DO NOT pry with screwdriver!
5. Remove coax connections.
6. Remove wire tie holding GPS cable to backup.
7. Remove tape holding GPS wire to main cable.
8. Remove screws (2) holding bottom housing to turret.
9. To remove bottom housing, carefully rock slightly side to side while lifting.

INSTALLING NEW ELECTRONICS BOX:

1. Place housing bottom on turret. Be sure the plug connections line up.
2. Push down on housing. Using thumb, push down on circuit board over top of plug connection. This will firmly seat the connector.
3. Fasten box with screws (2) removed before. Do not overtighten. This will strip threads!
4. Apply silicon sealer to groove around bottom rubber clamp and in wire O-ring grooves. Place in housing.
5. Lay 3 and 9 conductor cables and GPS cable in appropriate rubber grooves, placing O-rings in O-ring grooves.
6. Fasten wire clamp to hold wires in place. Do not pinch wires by tightening screw too far.
7. Plug the 3 and 9 pin connectors to circuit board. Be sure all pins are in connectors.
8. Apply silicon sealer to grooves on side of top rubber clamp. Place clamp over wires.
9. Place large O-ring in bottom housing groove. Do not stretch ring while installing.
10. Replace top housing. Do not pinch GPS wire. (Tighten screws (5).
11. Replace coax to connectors on side. Connector closest to wire entrance is for INBF.
12. Remove reflector.
13. Fasten bundled GPS wire to backup structure.
14. Extend GPS wire. Tape wire to existing jacketed cable.
15. Attach reflector.
16. Remove cover over switches. Are they set correctly?
17. Check all external cable routings on mount and roof. Are they routed correctly?
18. Place GPS antenna on roof. Check system operation. If GPS is operating correctly, secure antenna to roof. If not, relocate and check operation again.



EXTERNAL GPS INSTALLATION

