

WINEGARD®

Model PW-0946

RD-9946 Pre-Wire Connectors

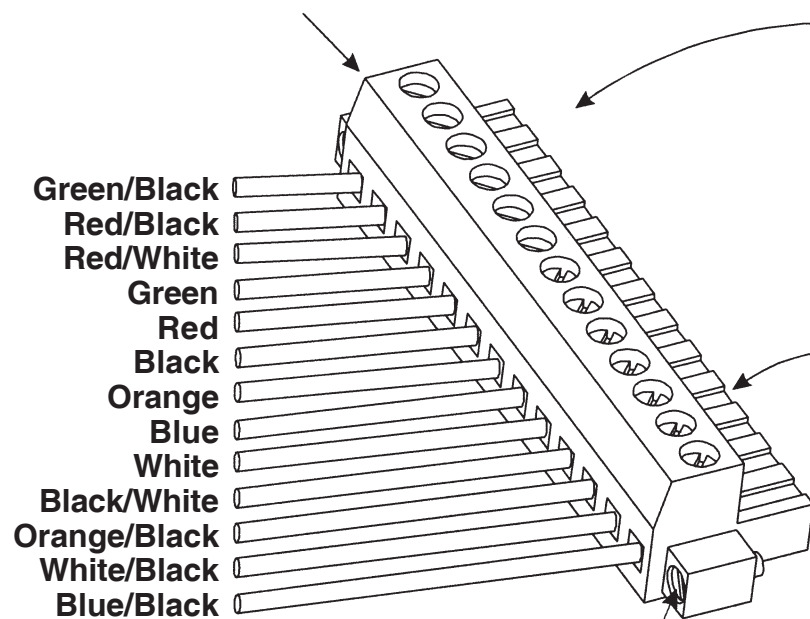
NOTE: Perform all installation steps in RD-9946 installation manual up to Step 4, then perform procedures listed here. Option B must be used to route the antenna mount cable, see the installation manual Step 1, Figure 5.

1. Route antenna mount cables through knockouts on mount base.
2. Secure mount base and antenna mount per installation manual.
3. Cut wires at connector coming from the antenna mount. Strip wires 1/4" inch. **DO NOT CUT COAX CABLE.**
4. Attach the wires coming from the RV to the connector as shown below.
NOTE: First color is the primary color: Example: Green/Black is a green wire with a black stripe.

5. Attach the wires coming from the antenna mount to the connector as shown below.
6. Press the connectors together as shown below. **Make sure to secure connectors together using the screws on the connectors.**

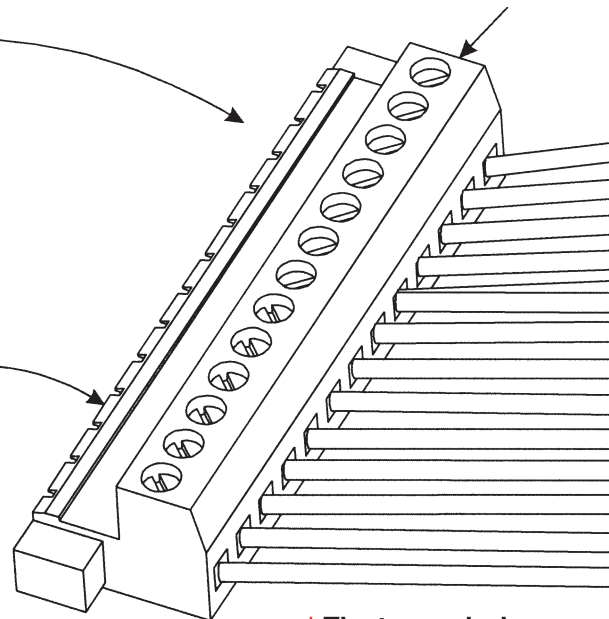
CAUTION: THESE CONNECTORS ARE NOT WEATHERPROOF! THEY WILL NOT FIT UNDER THE MOUNT, THEY MUST BE PLACED UNDER THE ROOF. YOU CANNOT LEAVE THIS CONNECTION EXPOSED TO THE WEATHER. THE SYSTEM WILL SOON FAIL IF THIS IS DONE. THE CONNECTORS MUST BE PLACED UNDER THE CE-2000 ROOF FEED-THRU PLATE.

Attach wires from RV.



Use screws to secure connectors together.

Attach wires from antenna mount.



NOTE: Manufacture Date (MO/YR) is Stamped Under Mount Base.

Manufactured After Feb. 98	Manufactured Before Feb. 98
Green/Black	Green/Black
Red/Black	Blue/Black
Red/White	Blue/White
Green & Red	Green/White
*Red	**Green & Blue
Black	Black
Orange	Orange
Blue	Red
White	White
Black/White	Black/White
Orange/Black	Orange/Black
White/Black	White/Black
Blue/Black	Red/Black

* The two red wires coming from the antenna mount are joined together at the connector.

** The green and blue wires coming from the antenna mount are joined together at the connector.

7. Place connectors under roof as shown below. **When the connectors into the roof, be sure not to break any of the wires.**

8. Seal roof entry with silicone sealant provided.

9. Secure roof-thru plate with screws provided. Apply sealant around plate.

10. Proceed to Step 5 in RD-9946 installation manual.

