

# WINEGARD AUTOMATIC SATELLITE UNIT RM-9946 ELECTRONIC BOX, RP-RM10 TOP REPLACEMENT

## TOOLS NEEDED:

Small Phillips screwdriver and average Phillips screwdriver

### REMOVE MOUNT COVER BEFORE BEGINNING.

1. Remove screws (6) holding lid to the bottom of electronic housing. The seal ring may or may not come out of the groove on the bottom half.

2. Carefully lift off top and move to side. **Leave wires connected.**

3. In the bottom housing, pull up GPS connector, disconnecting from circuit board, Figure 2. This connector is firmly seated and may not pull up easily.

4. On the new lid, there is a 3-wire w/connector coming from the circuit box on the under side of the new electronic housing lid, Figure 1. Align properly, then GENTLY push connector into slot where you removed the original GPS connection. **DO NOT FORCE THE CONNECTOR IN.**

NOTE: If the end connected to the circuit box comes loose, simply re-attach.

5. Replace sealing ring. Be sure it is firmly in place before replacing screws. If there is not a good seal, there will be water damage.

Winegard Company • 3000 Kirkwood Street • Burlington, IA 52601  
319/754-0600 • Fax 319/754-0787 • www.winegard.com  
© 2001 Winegard Company 2451003

FIGURE 1

GPS PLUG

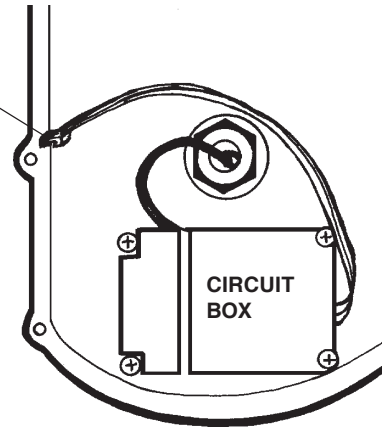
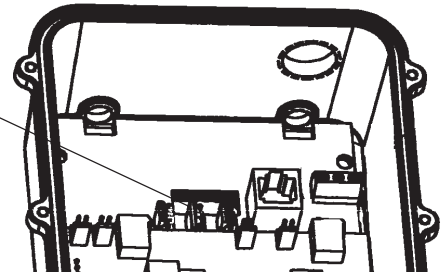


FIGURE 2

GPS CONNECTION  
INSIDE BOTTOM  
HOUSING



# WINEGARD AUTOMATIC SATELLITE UNIT RM-9946 ELECTRONIC BOX, RP-RM10 TOP REPLACEMENT

## TOOLS NEEDED:

Small Phillips screwdriver and average Phillips screwdriver

### REMOVE MOUNT COVER BEFORE BEGINNING.

1. Remove screws (6) holding lid to the bottom of electronic housing. The seal ring may or may not come out of the groove on the bottom half.

2. Carefully lift off top and move to side. **Leave wires connected.**

3. In the bottom housing, pull up GPS connector, disconnecting from circuit board, Figure 2. This connector is firmly seated and may not pull up easily.

4. On the new lid, there is a 3-wire w/connector coming from the circuit box on the under side of the new electronic housing lid, Figure 1. Align properly, then GENTLY push connector into slot where you removed the original GPS connection. **DO NOT FORCE THE CONNECTOR IN.**

NOTE: If the end connected to the circuit box comes loose, simply re-attach.

5. Replace sealing ring. Be sure it is firmly in place before replacing screws. If there is not a good seal, there will be water damage.

Winegard Company • 3000 Kirkwood Street • Burlington, IA 52601  
319/754-0600 • Fax 319/754-0787 • www.winegard.com  
© 2001 Winegard Company 2451003

FIGURE 1

GPS PLUG

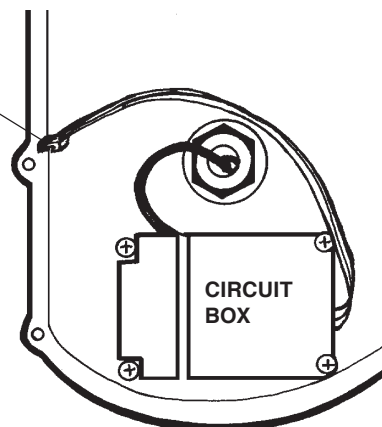


FIGURE 2

GPS CONNECTION  
INSIDE BOTTOM  
HOUSING

