

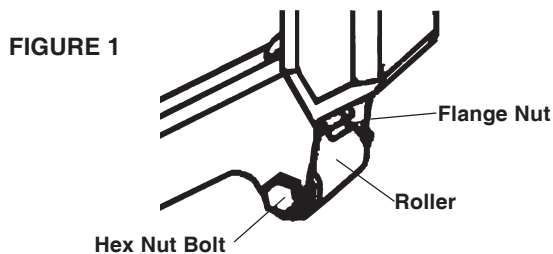
# Replacement Kit RP-RM00 for Winegard® Crank-up Satellite RM Models Backup, Feed Support

## Parts Included:

Feed Support Assembly (2) Shaft Clamps  
Backup Assembly (2) Cable Ties  
(4) Flat Head Bolts

## REMOVING DISH AND BACKUP/FEED SUPPORT ASSEMBLY

**STEP 1:** Raise dish. Remove roller, Figure 1. Loosen nylock nut, pull out hex head bolt.



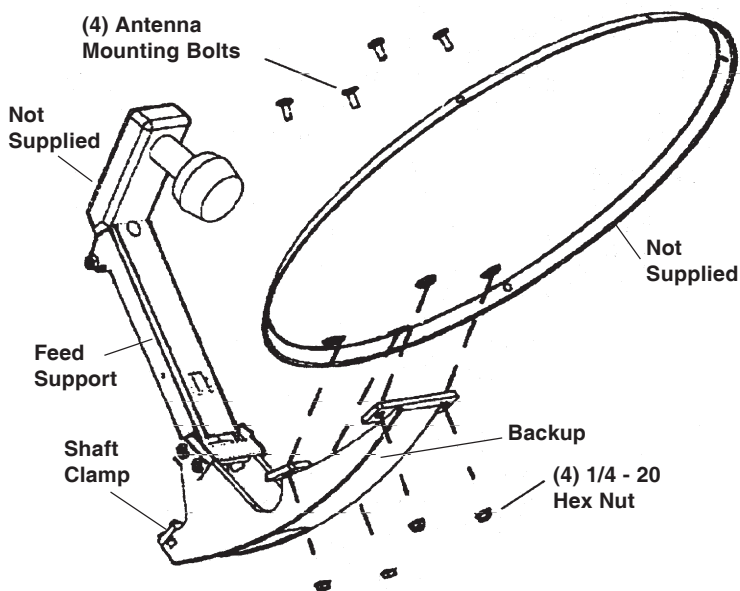
**STEP 2:** Remove LNBF.

**STEP 3:** Remove plastic tie at end of feed arm.

**STEP 4:** Remove backup/dish assembly.

**CAUTION!** Do not allow pivot shaft to rotate! For location of pivot shaft, see Figure 3.

FIGURE 2



## Tools Needed:

(2) 7/16" Wrench Wire Cutters

## REPLACING DISH AND BACKUP/FEED SUPPORT ASSEMBLY

**STEP 1:** Put new backup assembly on mount **BEFORE** attaching dish.

**STEP 2:** **CAREFULLY** remove roller on new unit. Loosen nylock nut, pull out bolt.

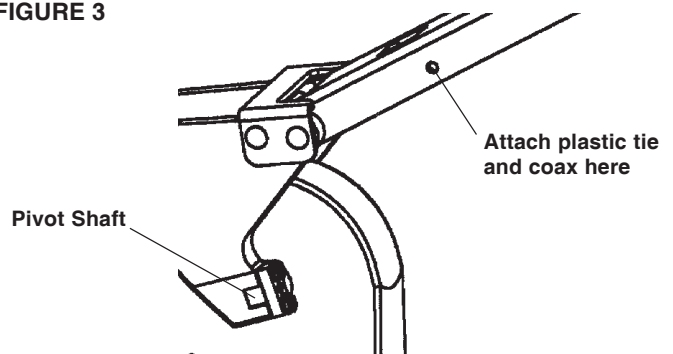
**STEP 3:** Reassemble LNBF to arm.

**STEP 4:** Reassemble roller assembly to arm.

**STEP 5:** Using plastic cable tie, fasten coax to feed arm, Figure 3.

**STEP 6:** Attach dish to backup assembly. **Be sure bolts are tight!**

FIGURE 3



**STEP 7:** Lower unit to travel position.

  
**WINEGARD®**  
Clearly the World's Best®

Winegard Company • 3000 Kirkwood Street • Burlington, IA 52601

319/754-0600 • Fax 319/754-0787 • www.winegard.com

Printed in U.S.A. © 2001 Winegard Company

2451001 Rev. 9/01