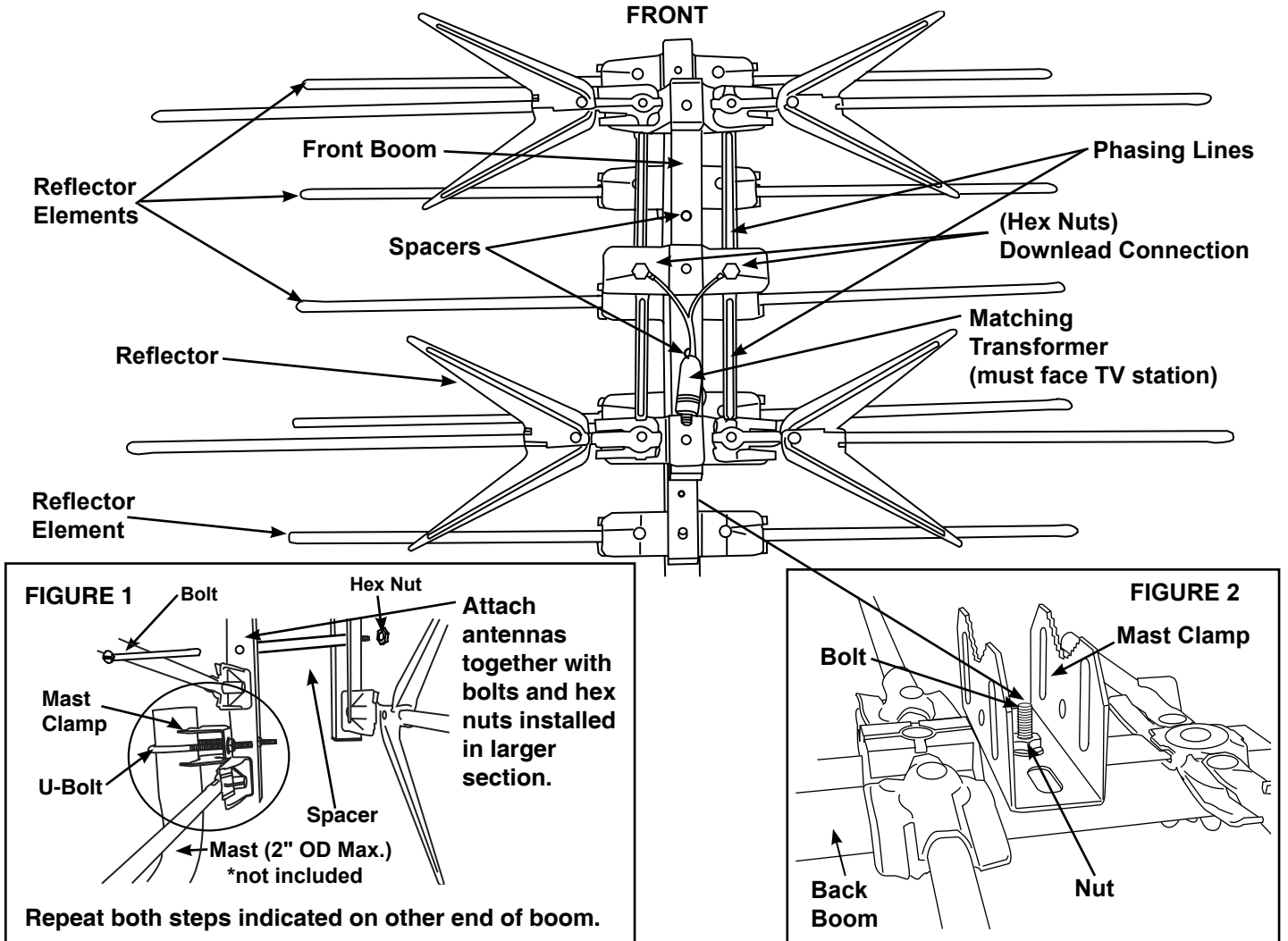


WINEGARD®

Model HD-1080 DTV Antenna

WARNING

READ THE ACCOMPANYING SAFETY INSTRUCTION SHEET BEFORE PROCEEDING WITH ANTENNA AND/OR MAST ASSEMBLY AND INSTALLATION. *INSTALLATION OF THIS ANTENNA NEAR POWER LINES IS DANGEROUS. FOR YOUR SAFETY, FOLLOW THE INSTALLATION INSTRUCTIONS.*



- Step 1.** Remove antenna from carton. Unfold elements and reflectors. Make sure that they are straight and perpendicular to the boom.
- Step 2.** Attach mast clamp to the back boom (larger antenna section) antenna using the screw and hex nut supplied, Fig. 2.
- Step 3.** Using the bolts and hex nuts provided, attach the smaller section to the larger section of the antenna using the spacers as shown in Figure 1.
- Step 4.** Mount antenna on top of mast and lightly tighten mast clamps.
- Step 5.** On the back of the smaller section line up the two phasing lines and insert the smaller screws from the hardware bag so that the head of each screw faces the larger section of the antenna. Place two washers on each screw and install the nut to hold the washers in place **DO NOT TIGHTEN**. Connect matching transformer to the download connection. Slide spade lugs of matching transformer between the washers. Tighten hex nuts securely. With the screws in place, connect the coax download to the matching transformer on the antenna, but do not secure at this time. Then connect the coaxial cable to your TV.
- Step 6.** Point front of antenna towards stations and tighten mast clamp securely, Figure 1.
- Step 7.** Secure coaxial download to the mast using tape to prevent whipping by the wind.
- Step 8.** Ground antenna and mast per accompanying Safety Instruction sheet.
***Grounding the antenna is not required for indoor installations.**

90 DAY LIMITED WARRANTY

WINEGARD®

Printed in U.S.A. © Winegard Company 2009 • Winegard Company • 3000 Kirkwood Street • Burlington, IA 52601-2000 1450510 Rev6 10/10