

WINEGARD®

Model HD-4400 UHF Antenna

WARNING

READ THE ACCOMPANYING SAFETY INSTRUCTION SHEET BEFORE PROCEEDING WITH ANTENNA AND/OR MAST ASSEMBLY AND INSTALLATION. INSTALLATION OF THIS ANTENNA NEAR POWER LINES IS DANGEROUS. FOR YOUR SAFETY, FOLLOW THE INSTALLATION INSTRUCTIONS.

Step 1. Remove antenna from carton. Unfold elements. Make sure that they are straight and perpendicular to the boom.

Step 2. Using the bolts and hex nuts supplied, attach the smaller antenna to the larger antenna.

Step 3. Attach mast clamps to the antenna using the bolts and hex nuts supplied, Figure 1.

Step 4. Connect matching transformer (may not be included depending on model) to the downlead coax cable.

Step 5. Connect matching transformer to the downlead connection. Loosen wing nuts on the antenna, and slide spade lugs of matching transformer between the washers. Tighten wing nuts securely.

Step 6. Mount antenna on top of mast and lightly tighten mast clamps.

Step 7. Connect the coax downlead to your TV, but do not secure at this time. Rotate antenna for best picture.

Step 8. Tighten mast clamps securely, Figure 1.

Step 9. Secure coaxial downlead to the mast using tape to prevent whipping by the wind.

Step 10. Ground antenna and mast per accompanying Safety Instruction sheet.

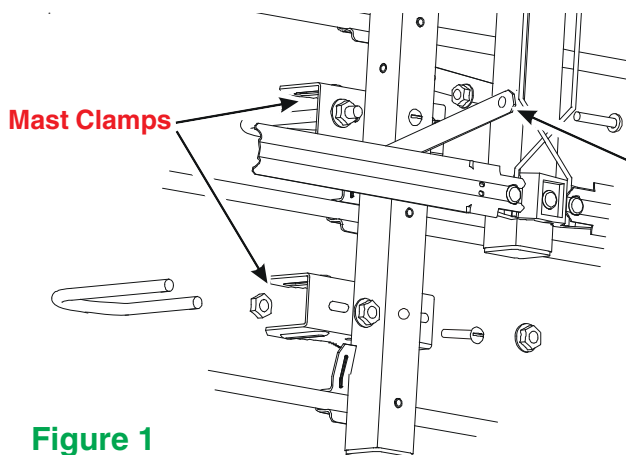
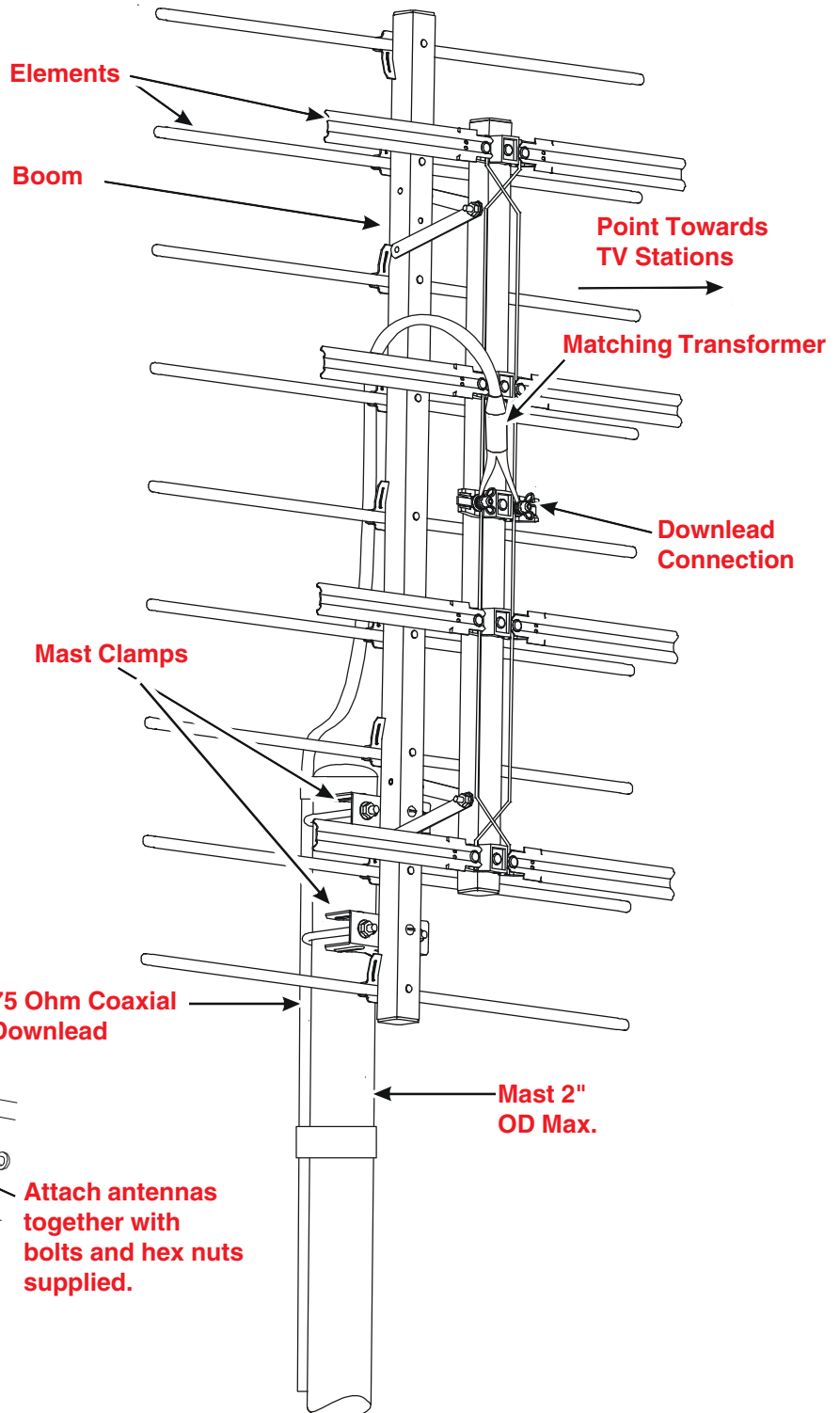


Figure 1

90 DAY LIMITED WARRANTY