

WINEGARD®

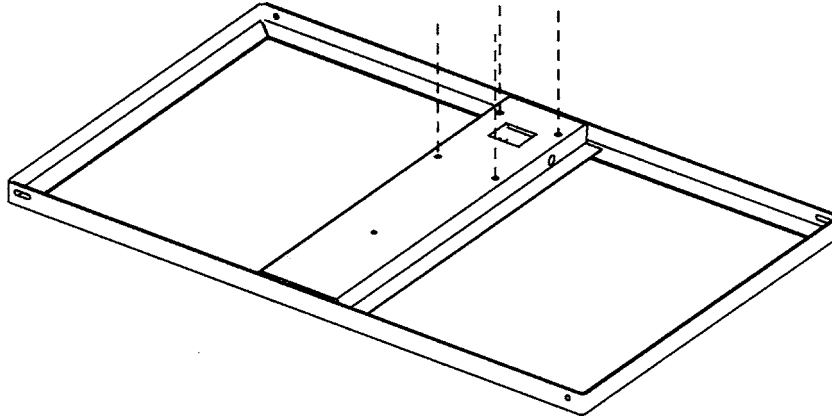
Non-Penetrating Roof Mount

**Model DS-5046 or
Model DS-5047 (w/Rubber Mat)**

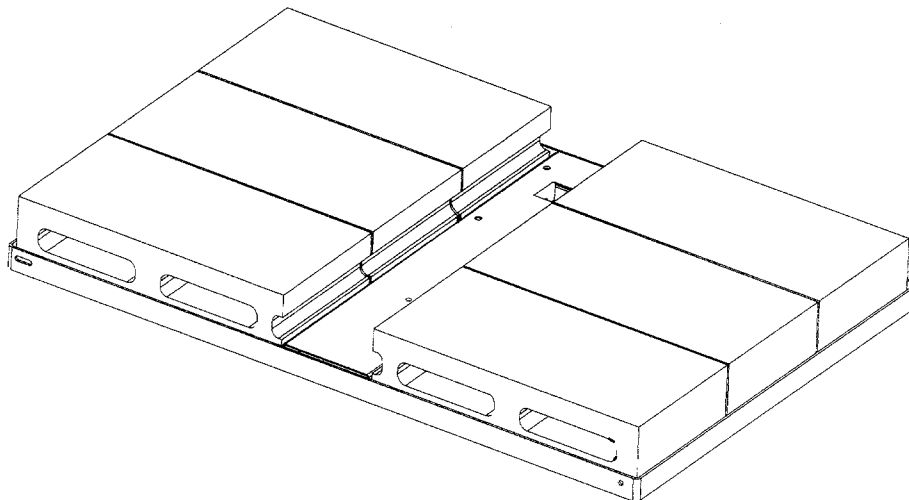
Made in U.S.A.

INSTRUCTIONS

STEP 1: Attach Winegard satellite antenna mount foot to frame with (4) 1/4-20 x 1" bolts, (4) 1/4-20 nuts and (8) 1/4 washers through holes indicated below (mount not shown for clarity).



STEP 2: Place up to six (6) concrete blocks as shown below (mount not shown for clarity).



WINEGARD MOUNT DISCLAIMER

To insure maximum safety, Winegard recommends no installation be attempted without a professional engineer's structural analysis. Local zoning and/or building codes and insurance companies may require architect or structural engineer approval prior to installation. It is the purchaser's responsibility to verify that the above steps are taken.