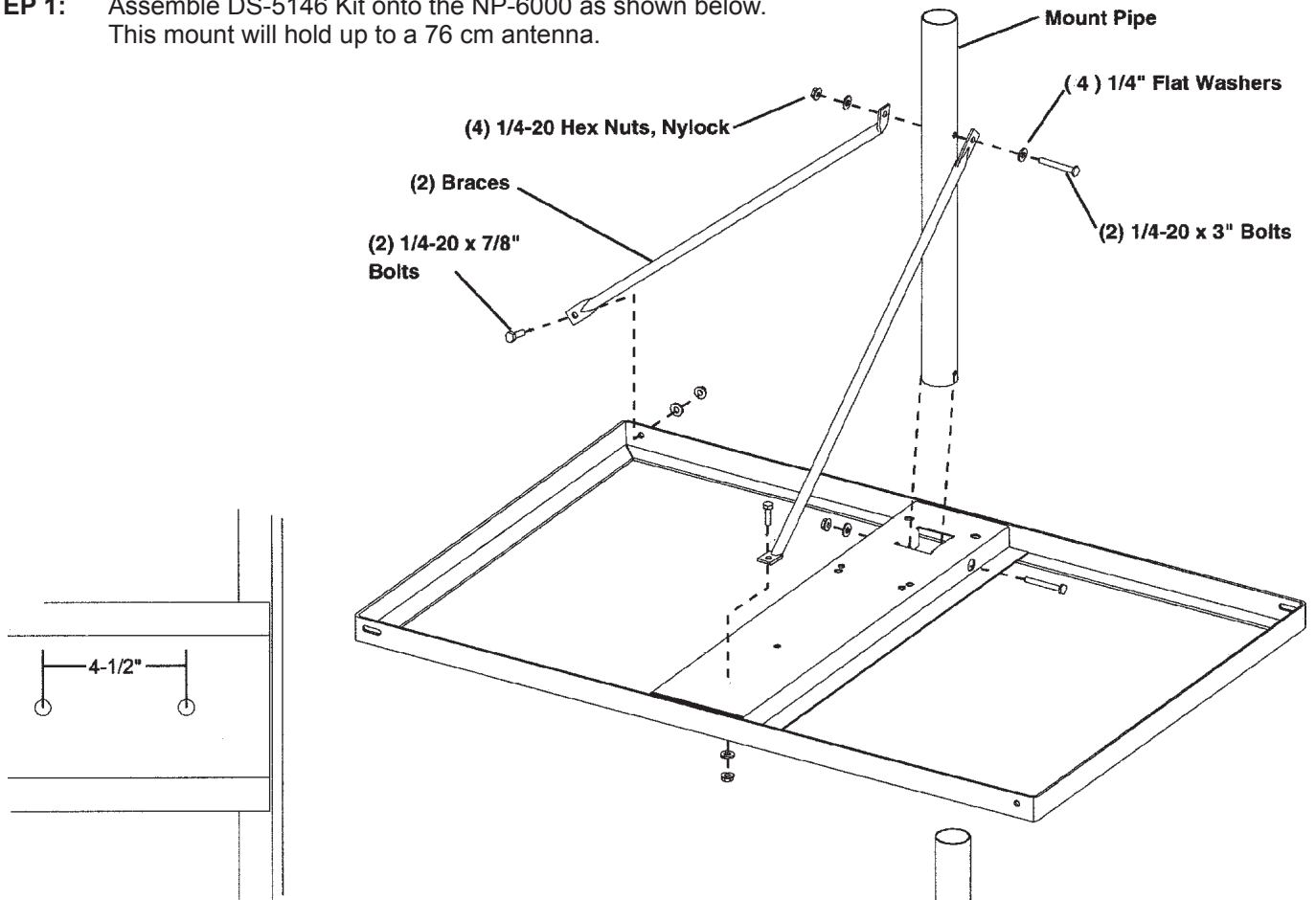


# WINEGARD®

## Non-Penetrating Roof Mount Model DS-5146 Assembly Instructions Made in U.S.A.

**STEP 1:** Assemble DS-5146 Kit onto the NP-6000 as shown below.  
This mount will hold up to a 76 cm antenna.



**STEP 2:** A layer of 6 (six) concrete blocks may be arranged in the frame as shown. Additional layers of concrete blocks may be added as needed.

### WINEGARD MOUNT DISCLAIMER

To insure maximum safety, Winegard recommends no installation be attempted without a professional engineer's structural analysis. Local zoning and/or building codes and insurance companies may require architect or structural engineer approval prior to installation. It is the purchaser's responsibility to verify that the above steps are taken.

