

90 DAY LIMITED WARRANTY

Winegard Company warrants this Winegard product against any defects in materials or workmanship within 90 (ninety) days from date of purchase. No warranty claim will be honored unless at the time the claim is made, you present proof of purchase to an authorized Winegard dealer (if unknown, please contact Winegard Company, 3000 Kirkwood Street, Burlington, IA 52601-2000, Telephone 800-288-8094).

Winegard Company (at its option) will either repair or replace the defective product at no charge to you. This warranty covers parts, but does not cover any costs incurred in removal, shipping or reinstallation of the product. This limited warranty does not apply if the product is damaged, deteriorates, malfunctions or fails from: misuse, improper installation, abuse, neglect, accident, tampering, modification of the product as originally manufactured by Winegard, usage not in accordance with product instructions or acts of nature such as damage caused by wind, lightning, ice or corrosive environments such as salt spray and acid rain.

The 90 Day Warranty is provided on the condition that the equipment is properly delivered with all handling and freight charges prepaid to your Winegard dealer for return to our factory for repair or replacement. Winegard dealers will arrange for the replacement or repair and return to you without charge the product which failed due to defective material or workmanship.

WINEGARD COMPANY WILL NOT ASSUME ANY LIABILITIES FOR ANY OTHER WARRANTIES, EXPRESS OR IMPLIED, MADE BY ANY OTHER PERSON.

ALL OTHER WARRANTIES WHETHER EXPRESS, IMPLIED OR STATUTORY INCLUDING WARRANTIES OF FITNESS FOR A PARTICULAR PURPOSE AND MERCHANTABILITY ARE LIMITED TO THE 90-DAY PERIOD OF THIS WARRANTY.

The foregoing shall be the sole and exclusive remedy of any person, whether in contract, tort or otherwise, and Winegard shall not be liable for incidental or consequential damage or commercial loss, or from any other loss or damage except as set forth above.

Some states do not allow limitations on how long an implied warranty lasts, or the exclusion of limitation of incidental or consequential damages, so the above limitations or exclusions may not apply to you.

This warranty gives you specific legal rights and you may also have other rights which vary from state to state.

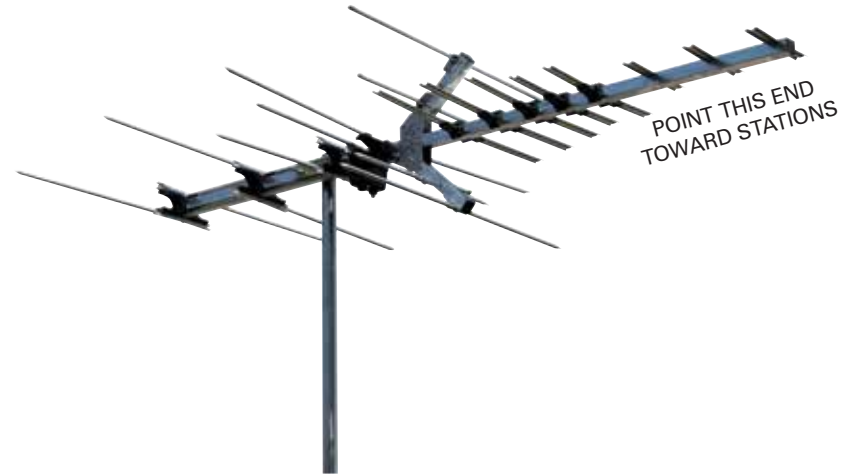
Rev. 2/08



VHF/UHF MODEL HD7694P

High Definition (HD) Antenna

INSTRUCTION MANUAL



Register your product at winegard.com/myantenna
For help, email help@winegard.com

WARNING: Installation of this antenna near power lines is dangerous!
For your safety, follow the installation instructions.

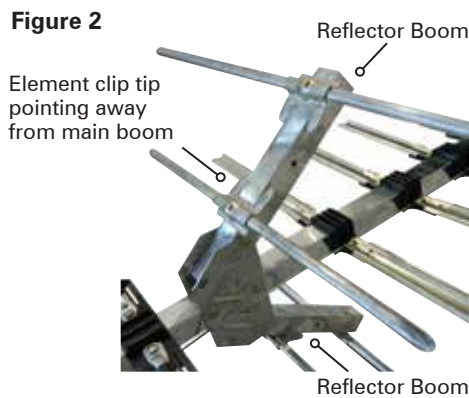
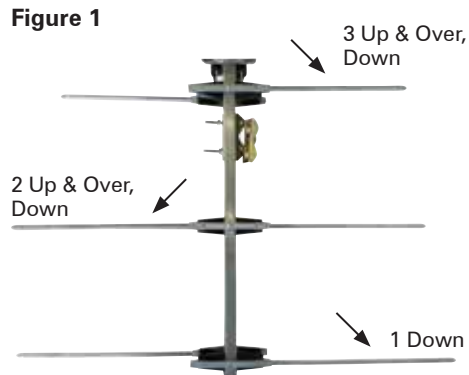
PARTS LIST



ASSEMBLY

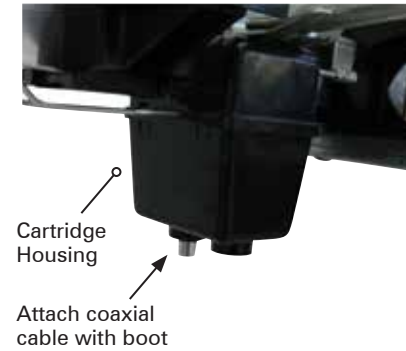
NOTE: To prevent damage in shipping, some of the elements are folded to the opposite side of the boom. For maximum performance, you must unfold the elements correctly. Please follow the steps below.

- 1) Remove the antenna assembly from the carton and compare with parts list to ensure nothing is missing and to become familiar with the part names.
- 2) Lay the antenna on the ground with the cartridge housing receptacle facing down and the long elements pointing towards you. Starting with the element closest to you, unfold the first three elements per **Figure 1** in direction of arrows until they lock into place in the black plastic blocks. Unfold the rest of the elements on this side of the antenna to the lock position.
- 3) Turn the antenna over so the cartridge housing receptacle is now facing up. Repeat step 2. Again lift and rotate the elements that are folded to the opposite side of the boom just enough to slide over the elements and boom.
- 4) Unfold the reflector booms slowly until they lock in place. Then unfold the elements on the reflector booms. See **Figure 2**.



- 5) Attach the housing cover so all 4 snaps are locked in place. Direction of the housing does not matter. See **Figure 3**.

Figure 3



ATTACHING ANTENNA TO MAST

Loosen nuts on the mast clamp. Slide the antenna over the mast, pointing the front of the antenna (small end) towards stations and tighten mast clamp securely using a crescent wrench (not included).

ATTACHING THE COAX

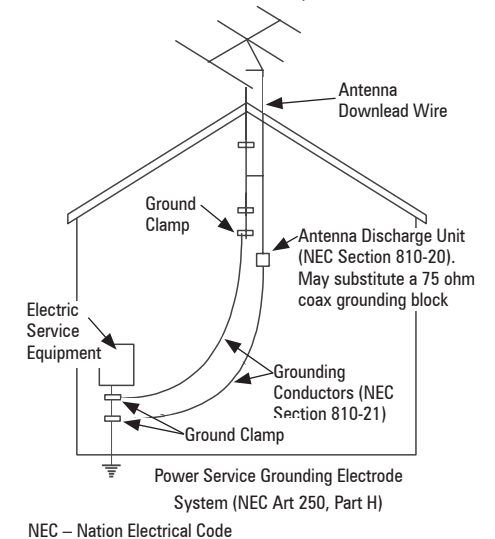
Slide the rubber boot over the end of the coaxial cable. Attach the coaxial cable to the cartridge housing. Slide the boot over the boot collar on the housing. The coaxial download may be secured to the mast with tape or plastic wire ties. See **Figure 3**.

LIGHTNING PROTECTION FOR TV ANTENNA & SET

- 1) Mount the lightning arrester or 75 ohm coaxial grounding block as close as possible to where the 75 ohm coaxial cable download enters the house. See **Figure 4**.
- 2) The ground wires for both the mast and the download should be copper or aluminum wire, number eight or larger. See **Figure 4**.
- 3) The download wire from the antenna to the lightning arrester and the mast ground wire should be secured to the house with stand-off insulators, spaced four to six feet apart. See **Figure 4**.

Figure 4

Example of antenna grounding as per National Electrical Code, ANSI/NFPA 70



NOTE: In the case of a "ground up" antenna installation, it may not be necessary to ground the mast if the mast extends four or more feet into the earth. Consult a TV serviceman for the proper depth in your location.