

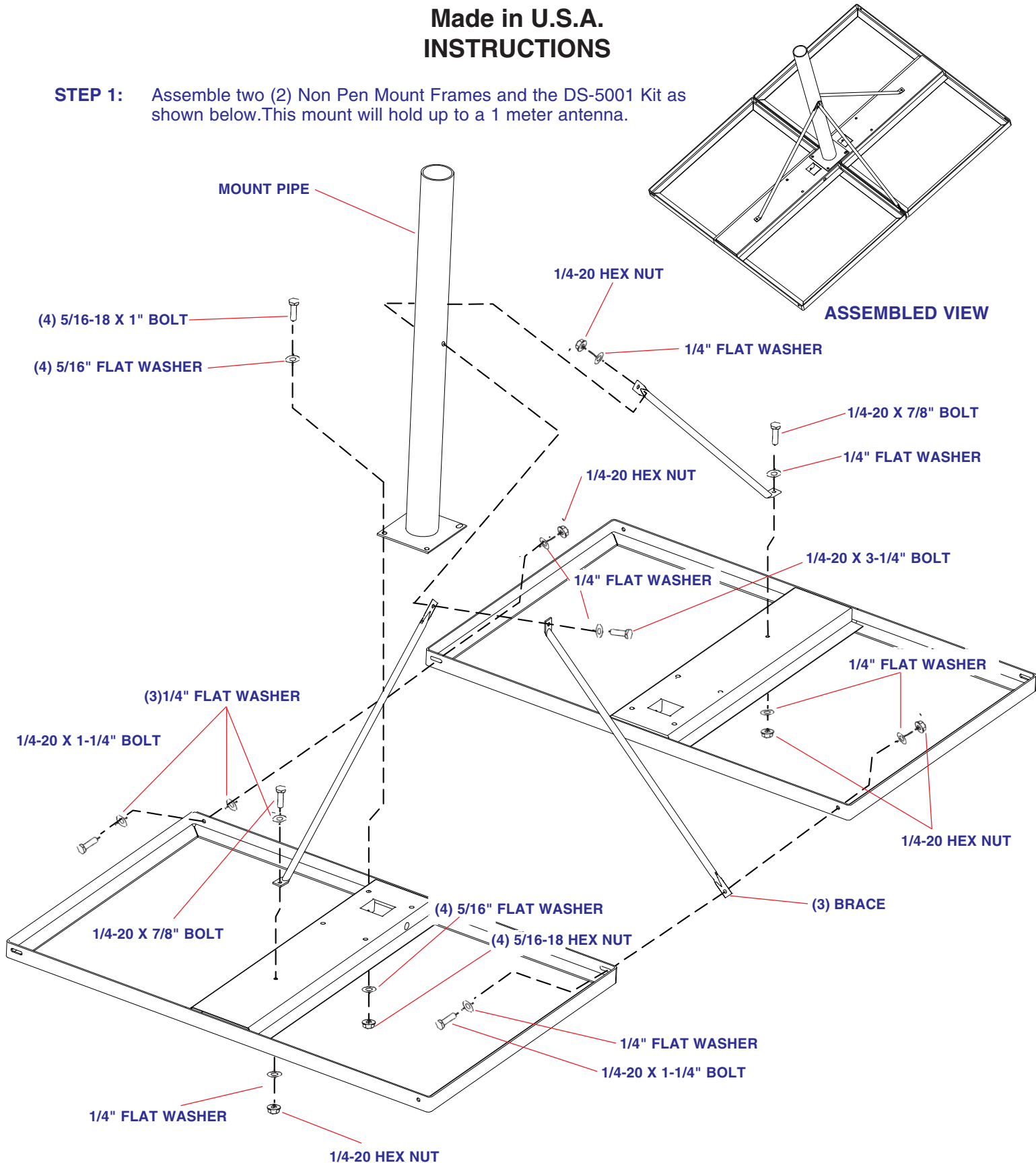
Non-Penetrating Roof Mount

Model DS-5001

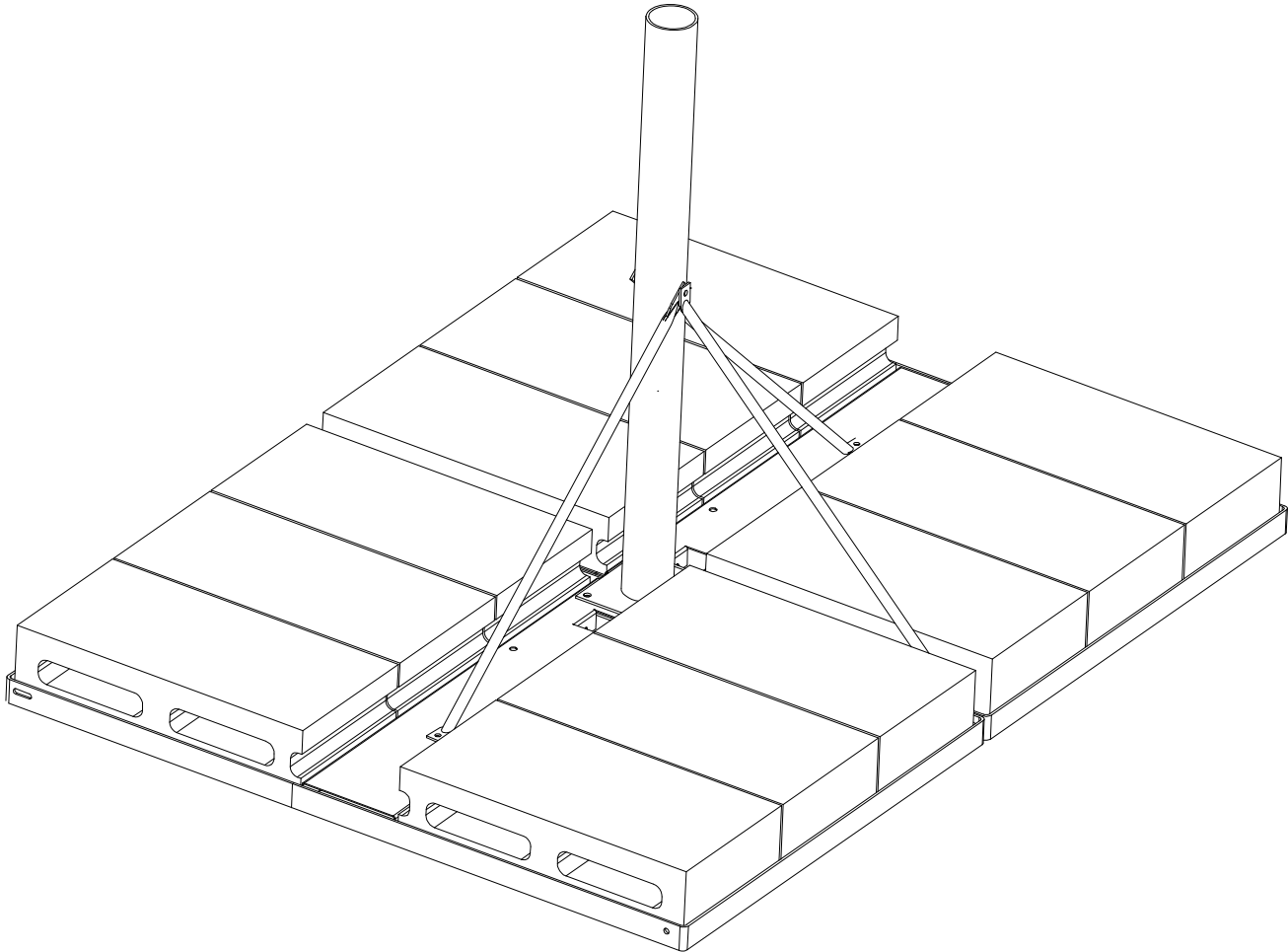
Made in U.S.A.

INSTRUCTIONS

STEP 1: Assemble two (2) Non Pen Mount Frames and the DS-5001 Kit as shown below. This mount will hold up to a 1 meter antenna.



STEP 2: A layer of twelve (12) concrete blocks may be arranged as shown below. Additional layers of concrete blocks can be added as needed.



WINEGARD MOUNT DISCLAIMER

To insure maximum safety, Winegard recommends no installation be attempted without a professional engineer's structural analysis. Local zoning and/or building codes and insurance companies may require architect or structural engineer approval prior to installation. It is the purchaser's responsibility to verify that the above steps are taken.